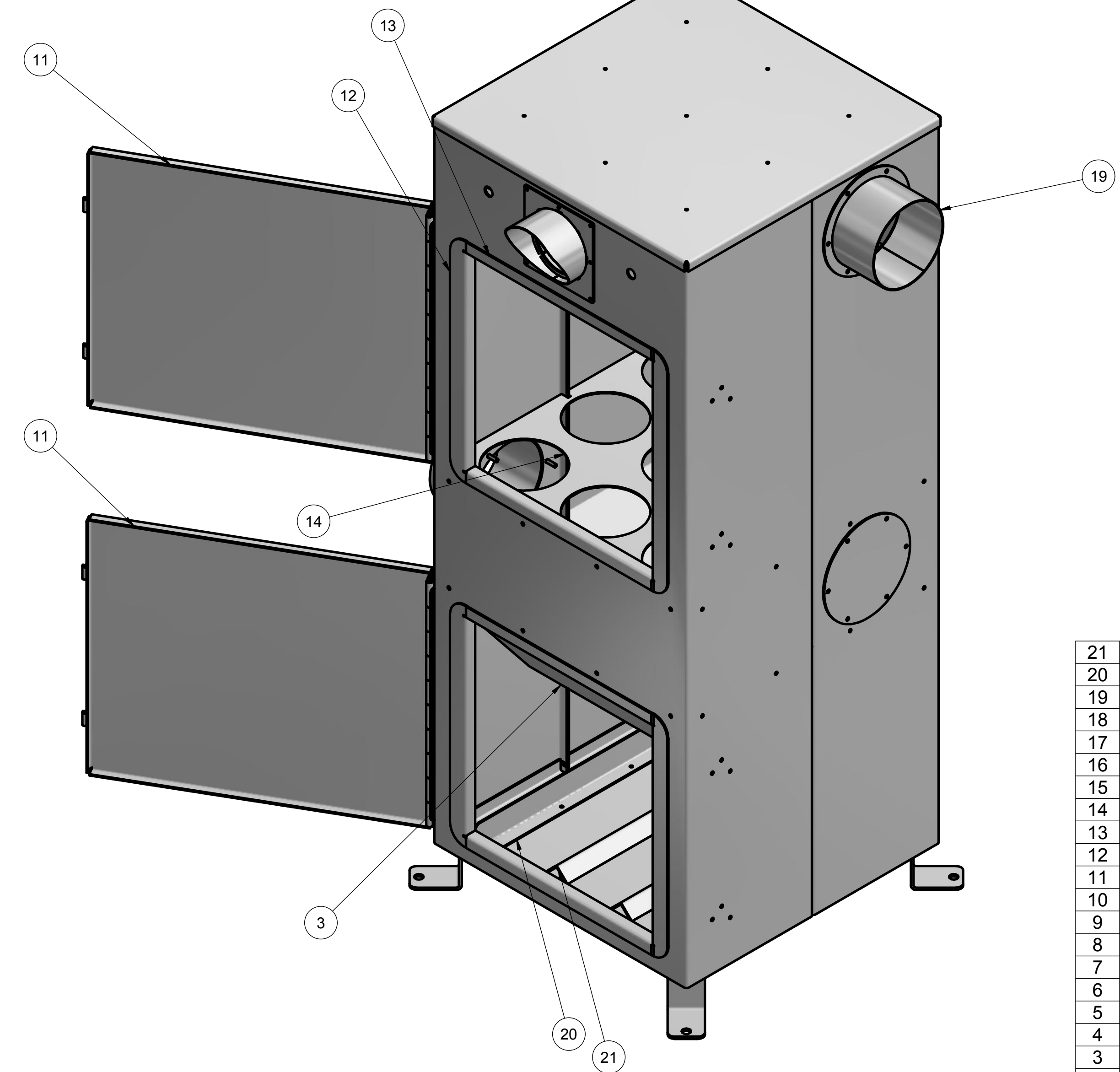
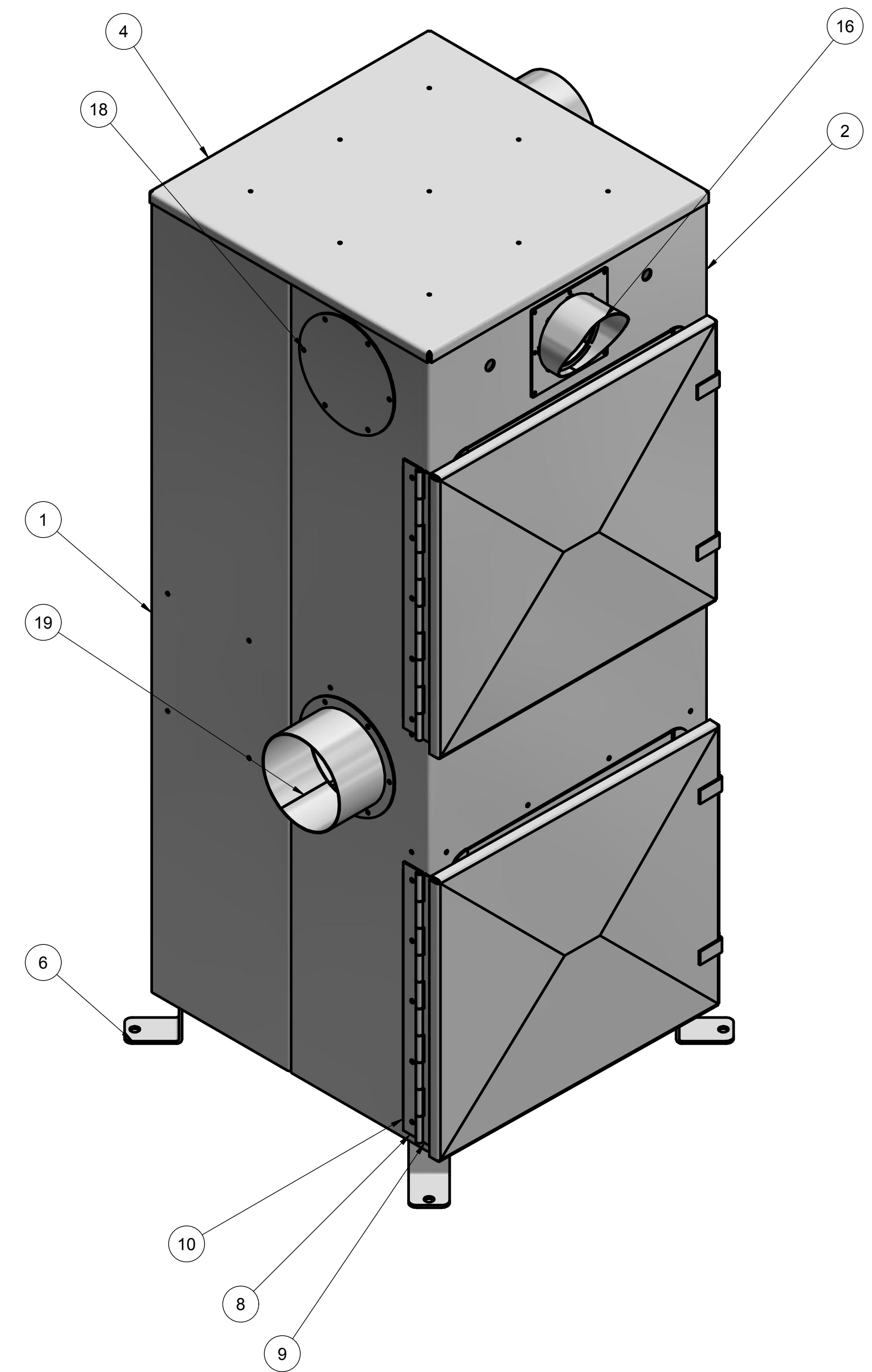


ITE	PART NO.	REV	DESCRIPTION	QTY
15	209494-25	0	Hose Plate Weldment 25HP Vacuum	1
14	370029	-	SC 4 Bolt Flange Bearings 1-1/4"	2
13	758789-25	0	GUARD FRONT SHAFT	1
12	370028	-	ELEMENT, OMEGA, SPLIT, E10	1
11	810131-25	0	1/2" HRS 5.000 X 4.500	1
10	365328	-	Flange Nut SerRATED 5/16" NC	28
9	764621-27	0	TIE BOLT	14
8	152736-A	0	SPACER RING 4"	1
7	209494-1	0	MOTOR SUPPORT WELDMENT	1
6	152736	0	SPACER RING 2.035"	10
5	175042	-	INTAKE DIFFUSER	11
4	764605-11	-	11- STAGE IMPELLER ASSEMBLY	1
3	370019	-	WEG MOTOR, ELECTRIC, 25HP, 3600RPM, 3PH	1
2	174938-25	0	25 H.P. MOTOR BASE	1
1	764613-25	0	25 H.P. MOTOR BASE -11 STAGE	1

Parts List			
MATERIAL DESCRIPTION	REV	DATE	QTY
11 STAGE TURBO & MTR ASSY 25 HP CENTRAL VACUUM			1
<small>This drawing is the exclusive property of Jim Coleman Company/Hanna. You may not copy, modify, distribute, lease, lend, sell, or purchase this drawing without written permission of Jim Coleman Company/Hanna.</small>			0
ALL DIMENSION IN INCHES	RN	CADD 816650.idw	DWG NO 816650
PROJ. ENGR.	SCALE	DATE 2/17/2016	
CHECKED BY	COLEMAN HANNA CARWASH SYSTEMS		
DRAWN BY fesmaelli	5842 WEST 34TH STREET, HOUSTON, TEXAS 77092 USA		



ITE	PART NO.	REV	DESCRIPTION	QTY
21	SCV-014	0	SQUARE CENTRAL VACUUM - SPACER RAIL	2
20	SCV-010	0	DIRT BUCKET GUIDE ANGLE	2
19	SCV-007-1	0	INLET /OUTLET DUCT	2
18	SCV-008	0	INLET/ OUTLET CAP	2
17	815811-1	0	VAC GUAGE MOUNTING BOX	1
16	815812-1	0	VAC GUAGE EYEBROW	1
15	815810-1	0	VACUUM GUAGE MOUNTING PLATE	1
14	SCV-004	0	SQUARE CENTRAL VACUUM - BAG HOLDER	1
13	SCV-012B	0	SQUARE CENTRAL VACUUM - DOOR JAMB T&B	4
12	SCV-012A	0	SQUARE CENTRAL VACUUM - DOOR JAMB R&L	4
11	SCV-011A	0	SQUARE CENTRAL VACUUM - DOOR	2
10	SCV-016	0	SQUARE CENTRAL VACUUM -HINGE PLATE	2
9	SCV-015-2	0	SQUARE CENTRAL VACUUM - HINGE	2
8	SCV-015-1	0	SQUARE CENTRAL VACUUM - HINGE	2
7	SCV-015-3	0	SQUARE CENTRAL VACUUM - HINGE	2
6	SCV-009	0	SQUARE VACUUM-FOOT	4
5	SCV-002	0	SQUARE CENTRAL VACUUM - BOTTOM	1
4	SCV-003	0	SQUARE CENTRAL VACUUM - TOP	1
3	SCV-006	0	SQUARE CENTRAL VACUUM- DIRT FUNNEL	1
2	SCV-001-1	0	SQUARE CENTRAL VACUUM - FRONT	1
1	SCV-001-2	0	SQUARE CENTRAL VACUUM - BACK	1

MATERIAL DESCRIPTION			SHEET 1 OF 2	
<small>This drawing is the exclusive property of Jim Coleman Company/Hanna. You may not copy, modify, distribute, lease, lend, sell, or purchase this drawing without written permission of Jim Coleman Company/Hanna.</small>			SQUARE CENTRAL VACUUM	
<small>ALL DIMENSION IN INCHES</small>			SCV-001	REV. 0
<small>PROJ. ENGR.</small>	<small>SCALE</small>	<small>CADD</small> SCV-001.idw	<small>DATE</small> 5/2/2016	<small>DWG NO</small>
<small>CHECKED BY</small>	COLEMAN HANNA CARWASH SYSTEMS			
<small>DRAWN BY</small> fesmaeili	<small>5842 WEST 34TH STREET, HOUSTON, TEXAS 77092 USA</small>			