



AN O'HANRAHAN COLEMAN COMPANY

2019

PARTS MANUAL

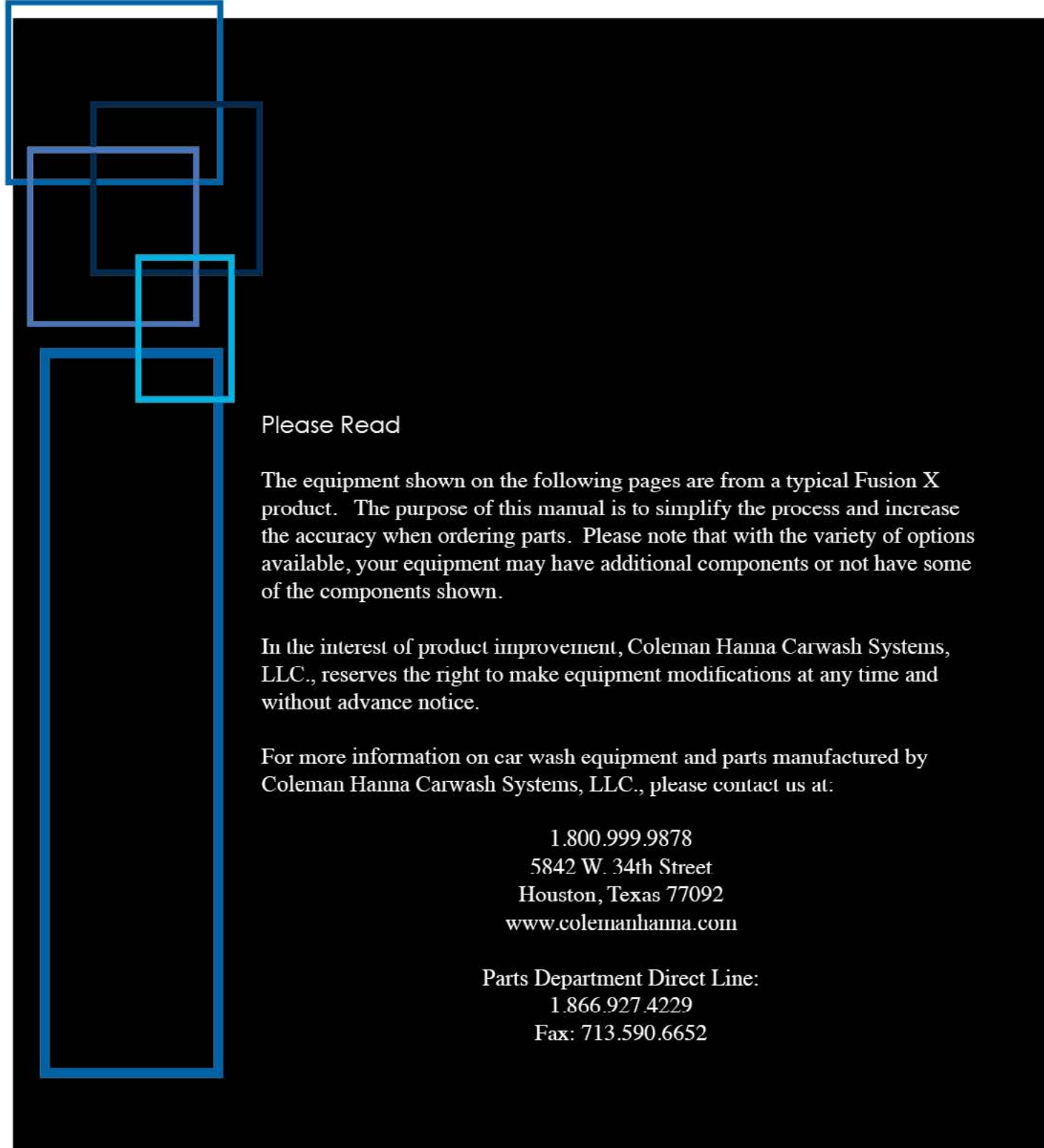
THIS COLEMAN HANNA CARWASH SYSTEMS LLC
EQUIPMENT PARTS MANUAL INCLUDES PICTURES
AND PART NUMBERS FOR THE FOLLOWING EQUIPMENT:

FusionX
COMBINATION WASH

VERSION 1

PARTS DEPARTMENT
1.866. 927.4229
713.590.6652 FAX

WWW.COLEMANHANNA.COM



Please Read

The equipment shown on the following pages are from a typical Fusion X product. The purpose of this manual is to simplify the process and increase the accuracy when ordering parts. Please note that with the variety of options available, your equipment may have additional components or not have some of the components shown.

In the interest of product improvement, Coleman Hanna Carwash Systems, LLC., reserves the right to make equipment modifications at any time and without advance notice.

For more information on car wash equipment and parts manufactured by Coleman Hanna Carwash Systems, LLC., please contact us at:

1.800.999.9878
5842 W. 34th Street
Houston, Texas 77092
www.colemanhanna.com

Parts Department Direct Line:
1.866.927.4229
Fax: 713.590.6652

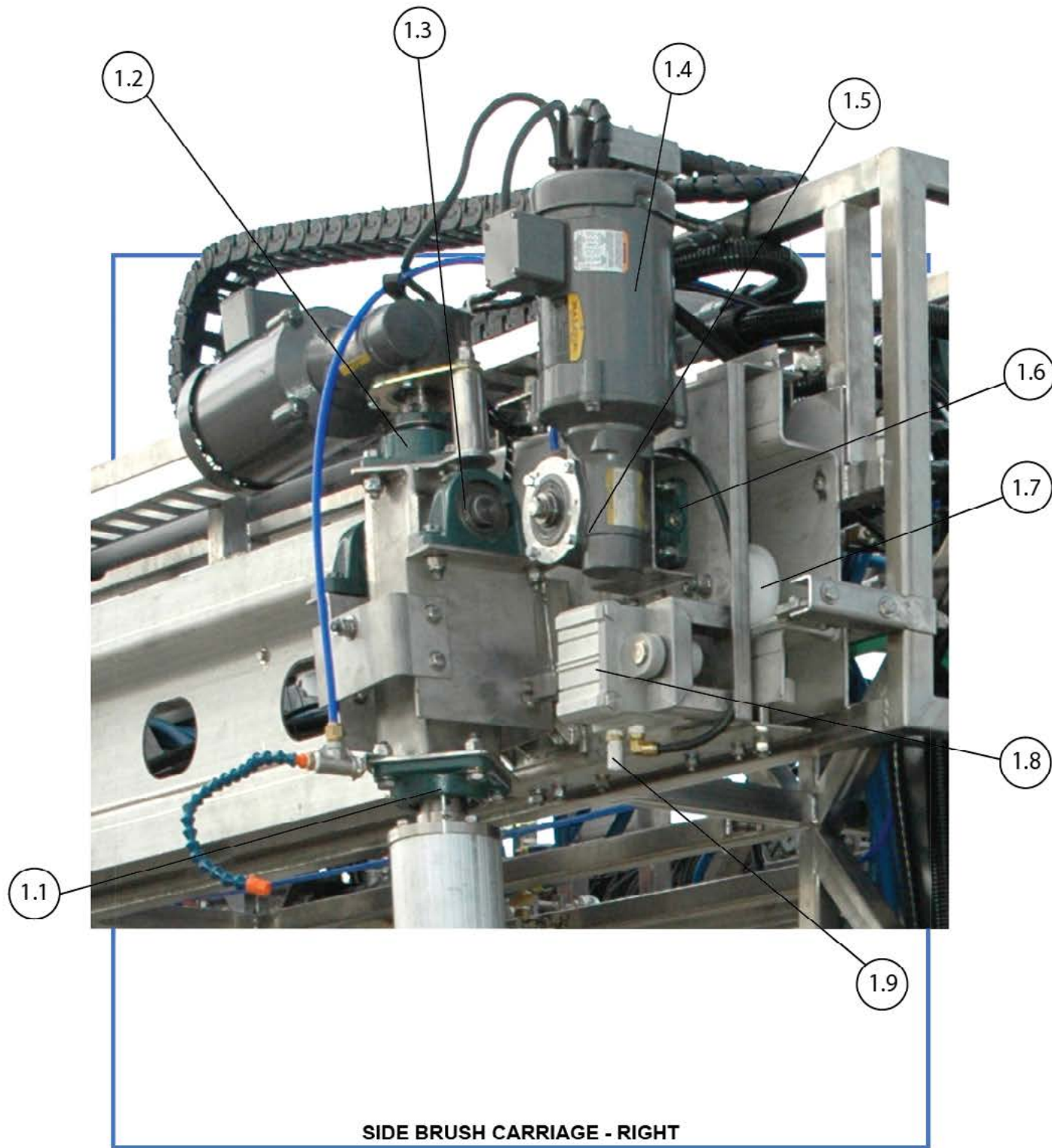
2019 FUSION X PARTS MANUAL

TABLE OF CONTENTS	Page
GANTRY	05
Gantry – Side Brush Carriage – Right Side	8
Gantry – Side Brush Carriage – Left Side	10
Gantry – Driver’s Side	12
Gantry – Driver’s Side – Front View	14
Gantry – Upper – Driver’s Side	16
Gantry – Passenger’s Side – Exit End View	18
Gantry – Passenger’s Side – Front View	20
Gantry – Upper – Passenger’s Side	22
Gantry – Wheel Brush Assembly	24
Gantry – Wheel Brush Assembly	26
Gantry – Electrical Panel	28
Gantry – Electrical Panel – Upper	30
Gantry – Electrical Panel – Lower	32
Gantry – Sparklesoft	34
PUMPSTAND	38
Pumpstand – Low Pressure Pumps	42
Pumpstand – Back	44
Pumpstand – Pump End	46
Pumpstand – Motor End	48
Pumpstand – Control Panel	50
Pumpstand – Electrical Control Center	52
Pumpstand – ECC – Upper	54
Pumpstand – ECC – I/O Cards	56
Pumpstand – ECC – CPU	58

gantry

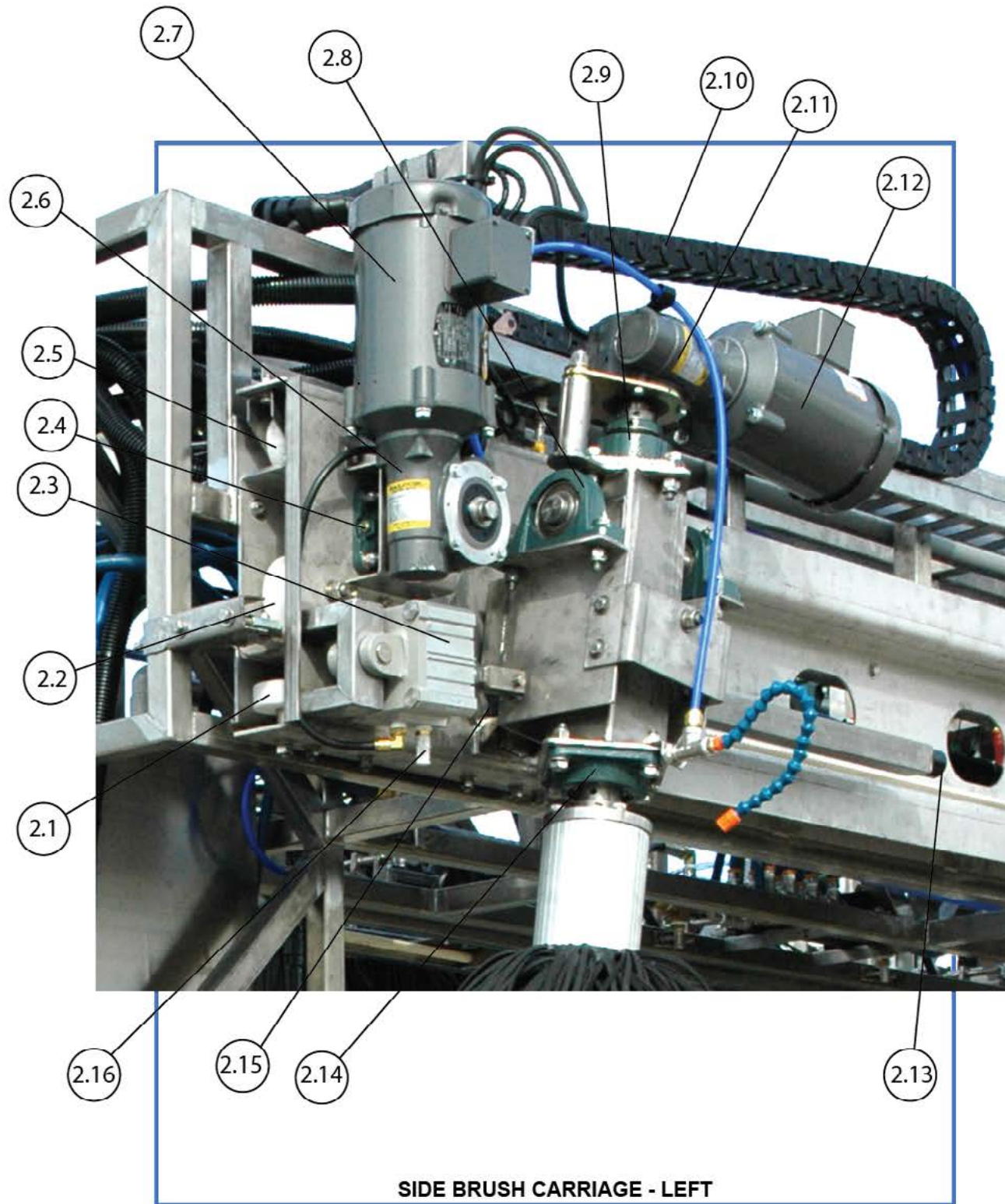






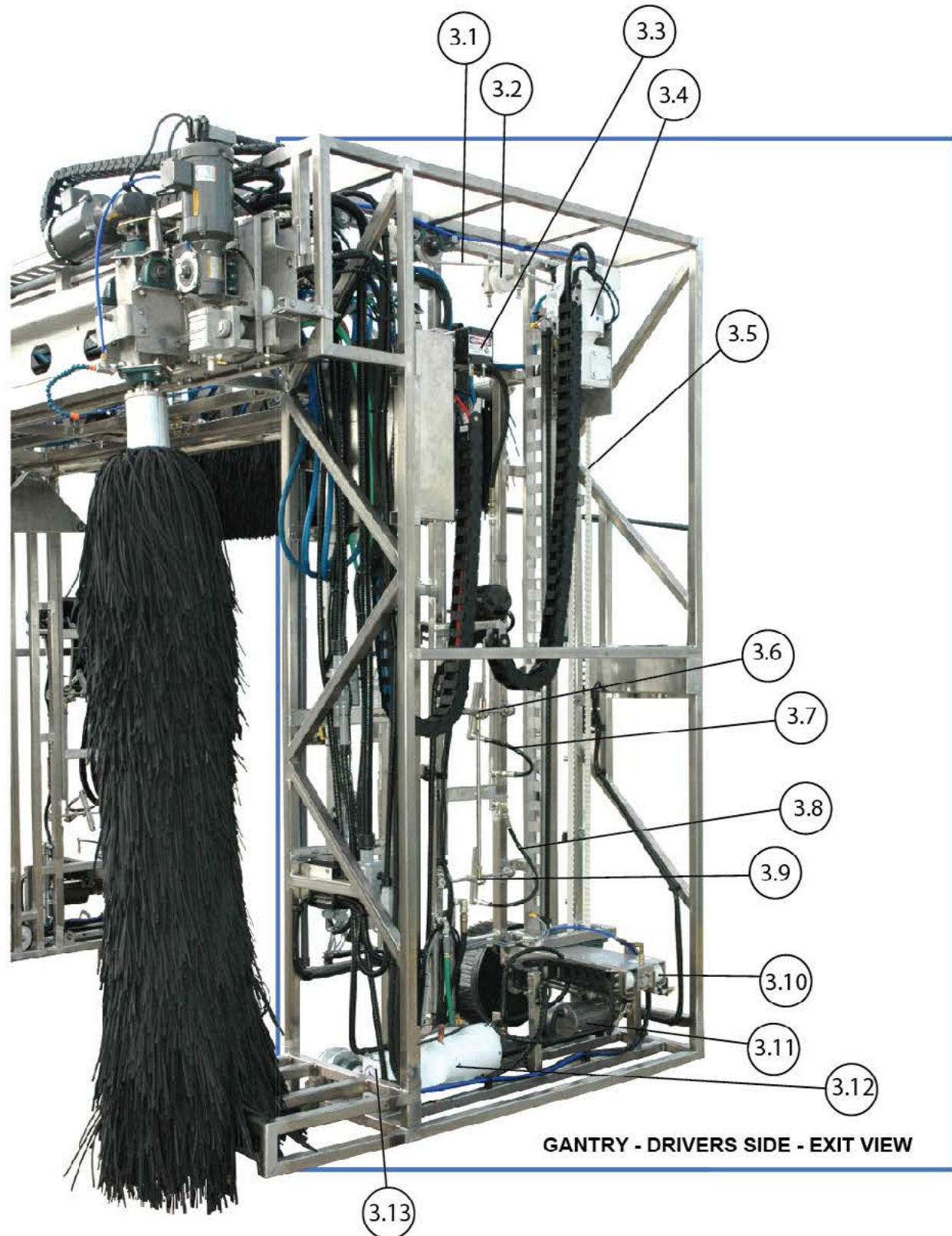
GANTRY – SIDE BRUSH CARRIAGE – RIGHT SIDE

ID#	PART#	DESCRIPTION
1.1	07513	Bearing, Flange 1.5" 4 Bolt
1.2	07514	Bearing, Flange Roller 1.5"
1.3	06851	Pillow Block-Vps-120
1.4	55001	Gear Motor, 10:1 Washdown HS
1.5	55001	Gear Motor, 10:1 Washdown HS
1.6	07511	Bearing, Flange 1" 4 Bolt
1.7	07828	Belt Idler Pulley
1.8	07501	Air Cyl, 100Mm Bore X 25Mm Strncq2D10025Dxc6
1.9	07502	Muffler, Pneumatic



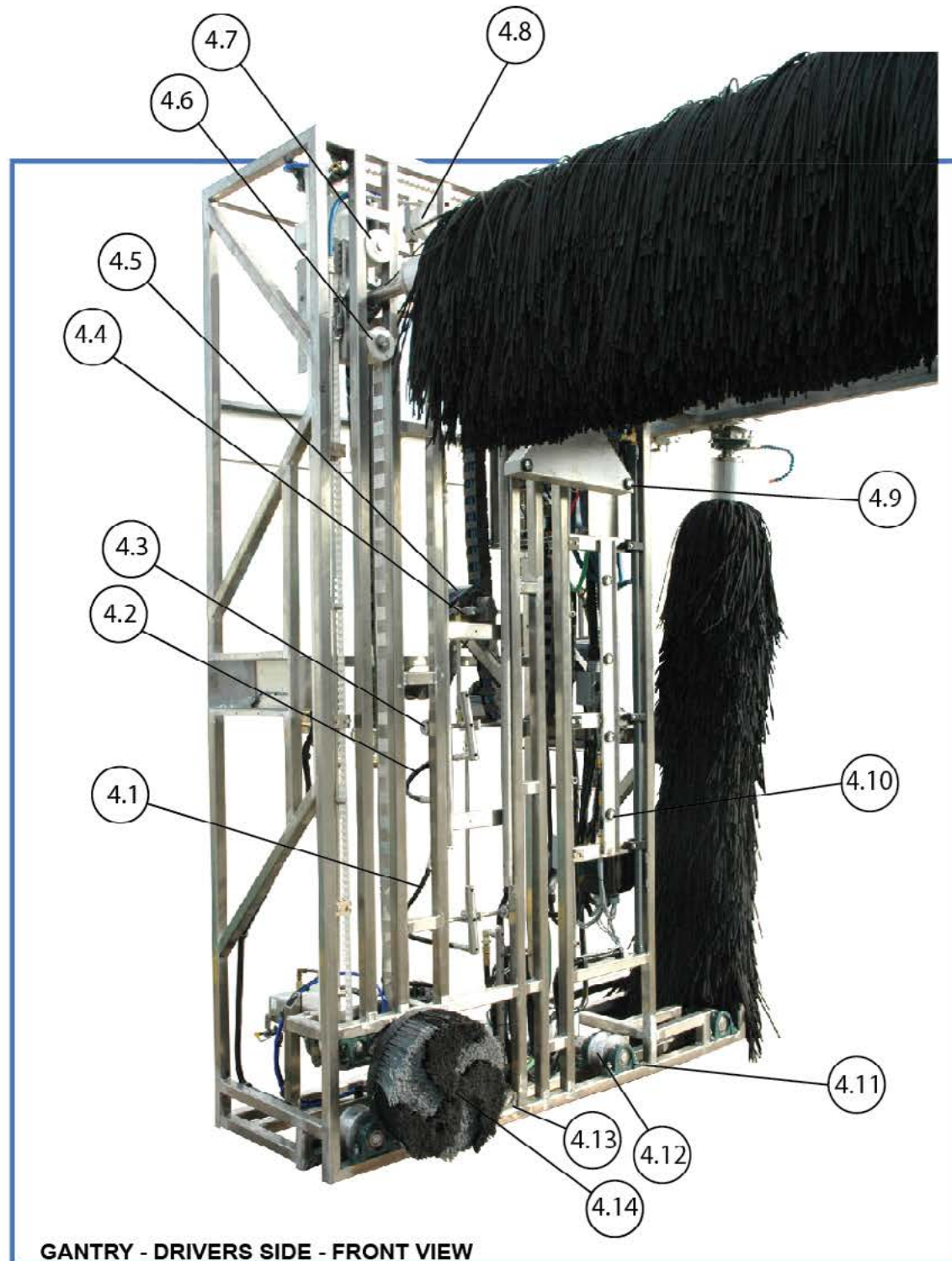
GANTRY – SIDE BRUSH – CARRIAGE – LEFT SIDE

ID#	PART#	DESCRIPTION
2.1	07825	Side Brush Carriage Rollers
2.2	07828	Belt Idler Pulley
2.3	07501	Air Cyl, 100mm Bore X 25
2.4	07511	Bearing, Flange 1" 4 Bolt
2.5	07825	Side Brush Carriage Rollers
2.6	55001	Gear Motor, 10:1 Washdown HSS
2.7	55001	Gear Motor, 10:1 Washdown HSS
2.8	06851	Pillow Block-Vps-120
2.9	07514	Bearing, Flange Roller 1.5"
2.10	07515	Cable Carrier, 2.25"X1.03"X8'
2.11	55001	Gear Motor, 10:1 Washdown HSS
2.12	55001	Gear Motor, 10:1 Washdown HSS
2.13	07528	Rubber Stopper
2.14	07513	Bearing, Flange 1.5" 4 Bolt
2.15	07528	Rubber Stopper
2.16	07502	Muffler, Pneumatic



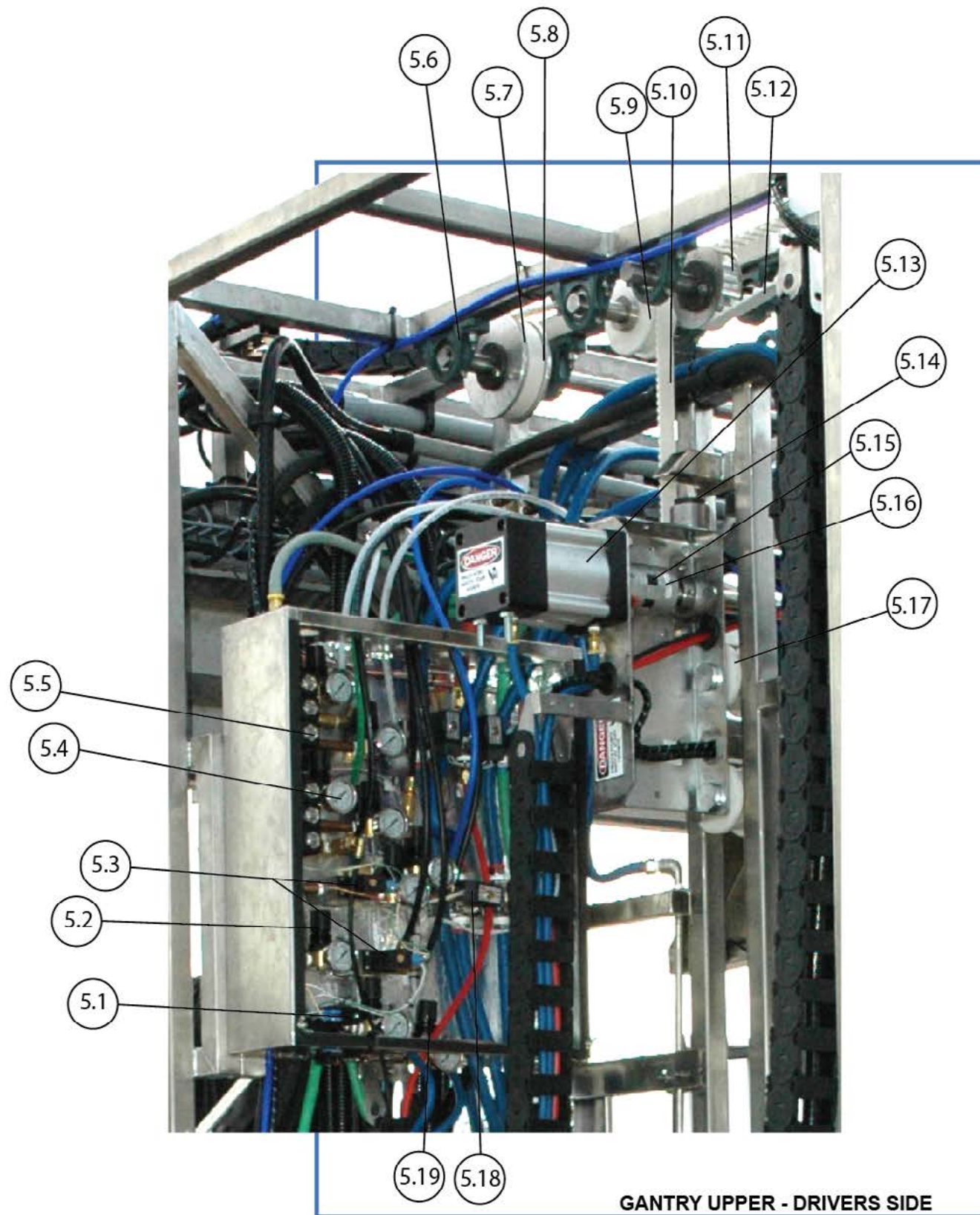
GANTRY – DRIVERS SIDE

ID#	PART#	DESCRIPTION
3.1	18013	Belt, Timing SS Endless
3.2	07828	Belt Idler Pulley
3.3	06857	Rotary Actuator
3.4	55230-4	.5Hp, 3/60, Inv Dty, Washdown Belt
3.5	18012-19	Top Brush Belt 19ft
3.6	06838	End-7/16"
3.7	22-00006	Hose, 3/8" Plastic X 19", 3/8 Hose,
3.8	22-00007	3/8" Plastic X 24"
3.9	06838	Rod End-7/16"
3.10	07815	Wheel Brush Side Rollers
3.11	55000-1	Gear Motor, 1/3Hp 30:1 1" HS
3.12	55230-3	.5Hp, 3/60, Inv Dty, Washdown
3.13	55225-3	Gear Box Lf-918, 30:1 Washdown



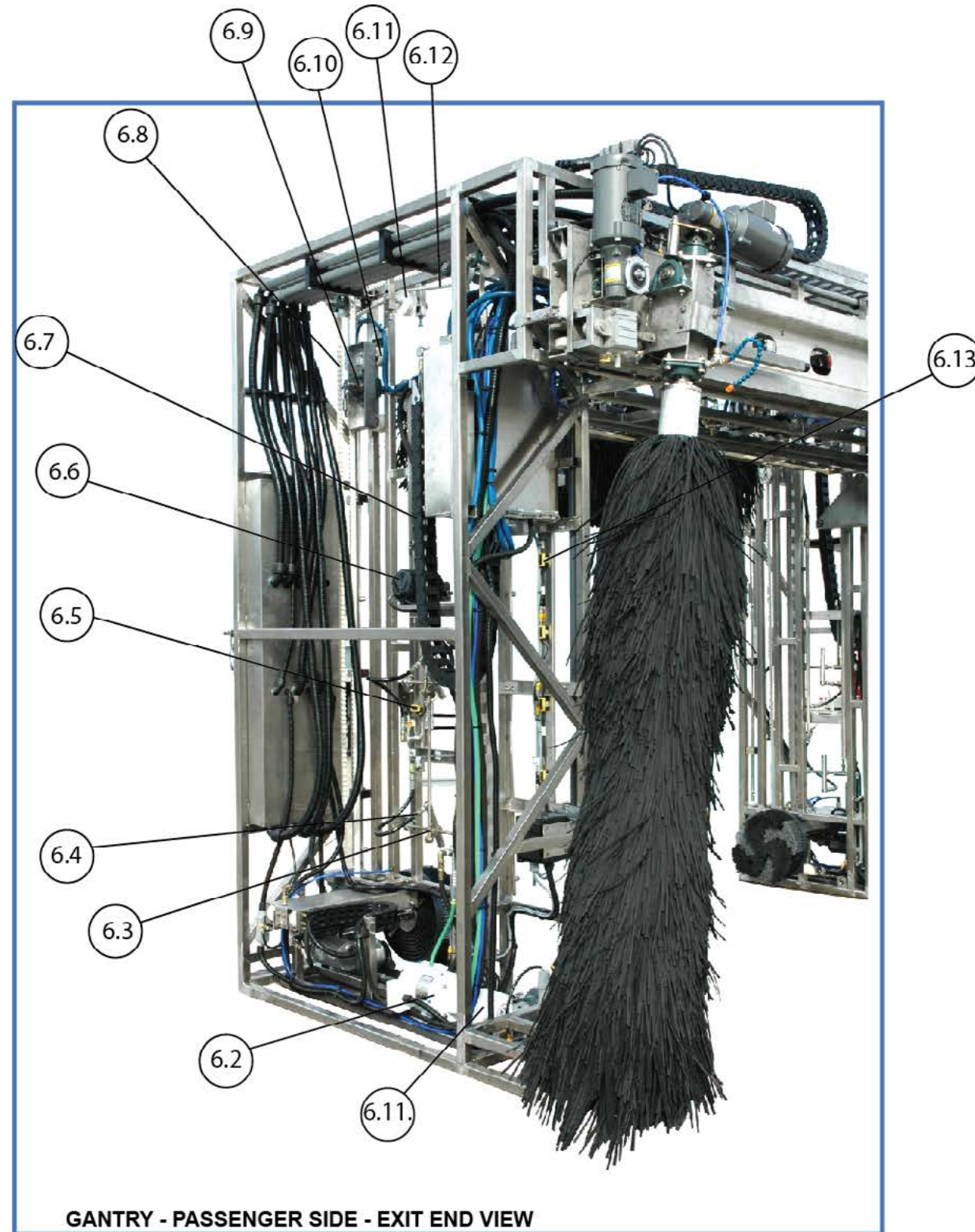
GANTRY – DRIVERS SIDE – FRONT VIEW

ID#	PART#	DESCRIPTION
4.1	22-00007	Hose, 3/8" Plastic X 24" Hose,
4.2	22-00006	3/8" Plastic X 19"
4.3	06647	Pillow Block Bearing - 1/2"
4.4	06838	Rod End-7/16"
4.5	55237	.13 Oscillating Motor w/ Gearbox
4.6	07820	Guide Roller Halves
4.7	07820	Guide Roller Halves
4.8	07822	Belt Idler Pulley
4.9	06742-1	Emitter, 8-Channel
4.10	06742	Emitter, 8-Channel
4.11	06851	Pillow Block-Vps-120
4.12	06500-W	Wheel, Drive
4.13	06742	Emitter, 8-Channel
4.14	07519	Wheel Brush, Silver/Black



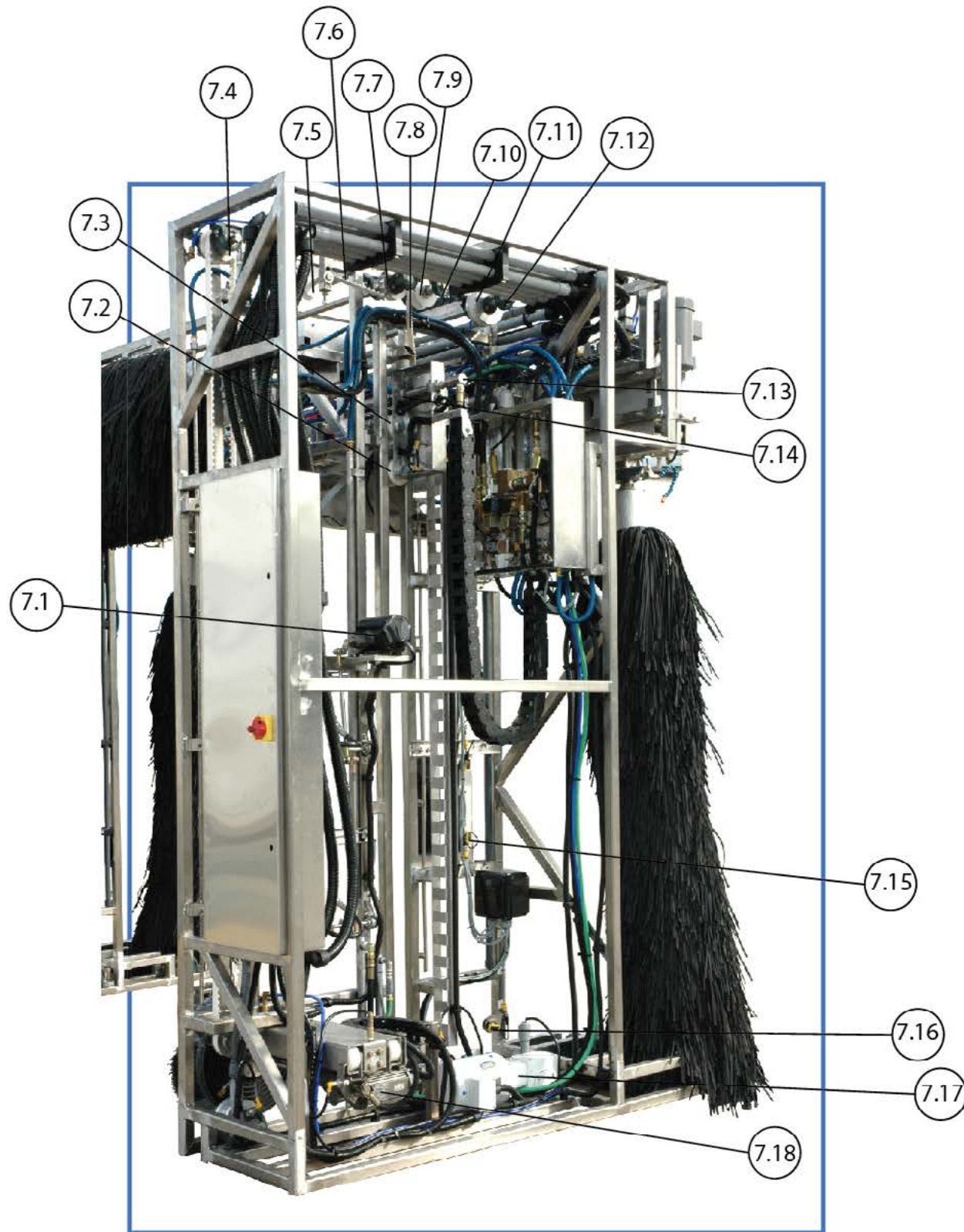
GANTRY UPPER – DRIVERS SIDE

ID#	PART#	DESCRIPTION
5.1	64075-1	Solenoid, Air Auto Dbl Act
5.2	58055	Regulator, Watts 1/4"
5.3	64000	Solenoid, Air 24Vac Coil
5.4	47027	Gauge-Wika 0-100Psi-Automatic
5.5	64021	43211N206-21 3Stage 1/4
5.6	06850	Pillow Blocks-Vps-116
5.7	06605	Pulley, Boom, Alum
5.8	06852-10	Top Boom Belt
5.9	07822	Belt Idler Pulley
5.10	06852	Belt-25At10/50,000-Mk92
5.11	18009	Pulley, Cog 25Mm X 94Mm Belt,
5.12	18013	Timing SS Endless
5.13	06857	Rotary Actuator
5.14	20053	Boom Stopper-Black Rubber
5.15	06803	Spider 1X406 Black
5.16	06800	Love Joy 1" Coupling
5.17	07820	Guide Roller Halves
5.18	06520	Solenoid Valve, 1/2", 24Vac
5.19	58056	Regulator, 3/8 Hi-Flow Mini



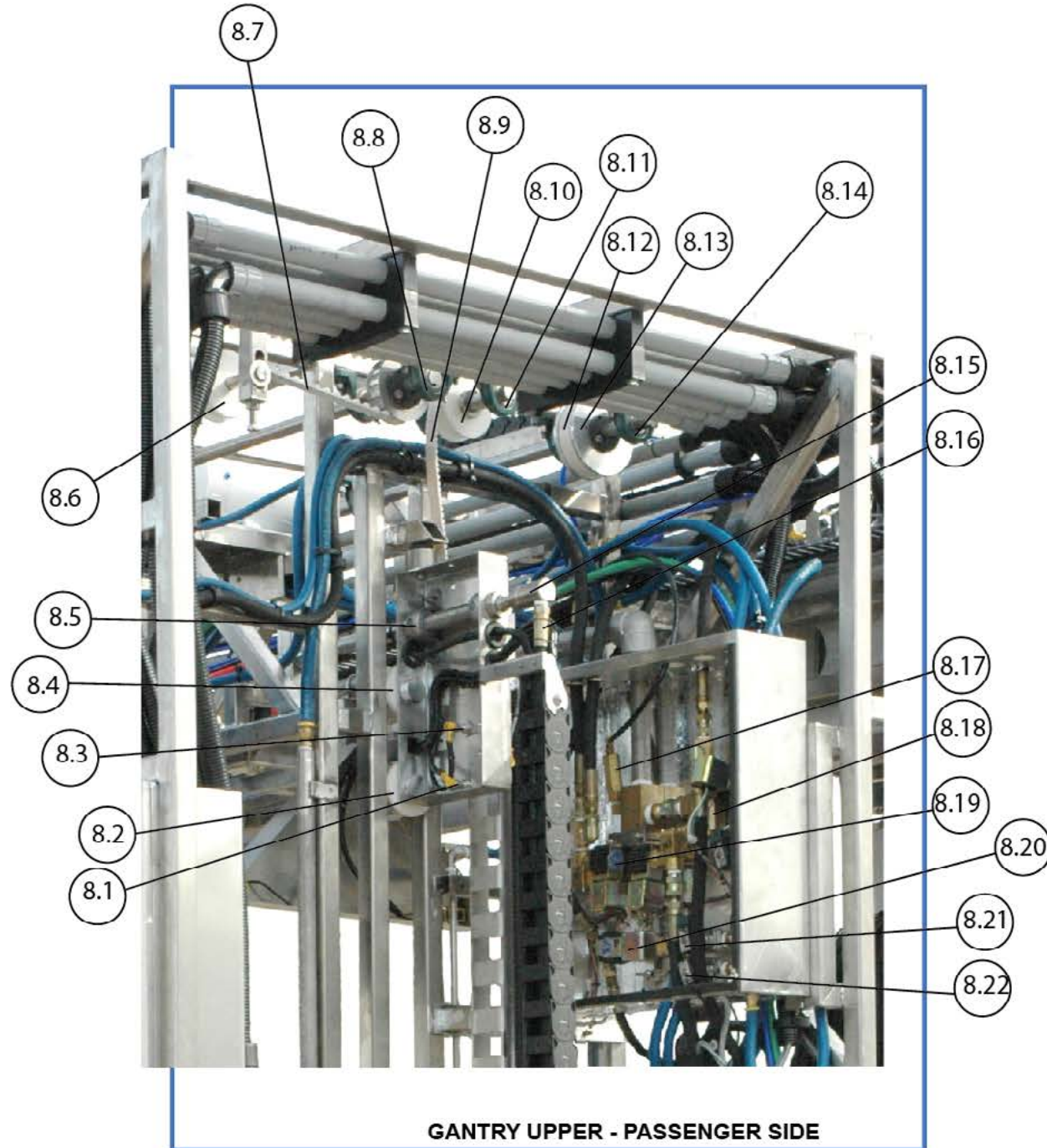
GANTRY – PASSENGER SIDE – EXIT END VIEW

ID#	PART#	DESCRIPTION
6.1	55225-2	Gear Box - Nord
6.2	55230-4	.5Hp, 3/60, Inv Dty, Washdown
6.3	06838	Rod End-7/16"
6.4	22-00007	Hose, 3/8" Plastic X 24"
6.5	06741-1	Receiver, 8-Channel w/Built in Cable
6.6	55237	.13 Oscillating Motor w/Gearbox
6.7	06767	Nylatrac, 2" X 6'
6.8	18012-19	Top Brush Belt 19ft
6.9	07512	Flange 1.5" 2 Bolt
6.10	07816	Top Brush Rollers
6.11	07828	Belt Idler Pulley
6.12	18013	Belt, Timing SS Endless
6.13	1-1	Receiver, 8-Channel



GANTRY – PASSENGER SIDE – FRONT VIEW

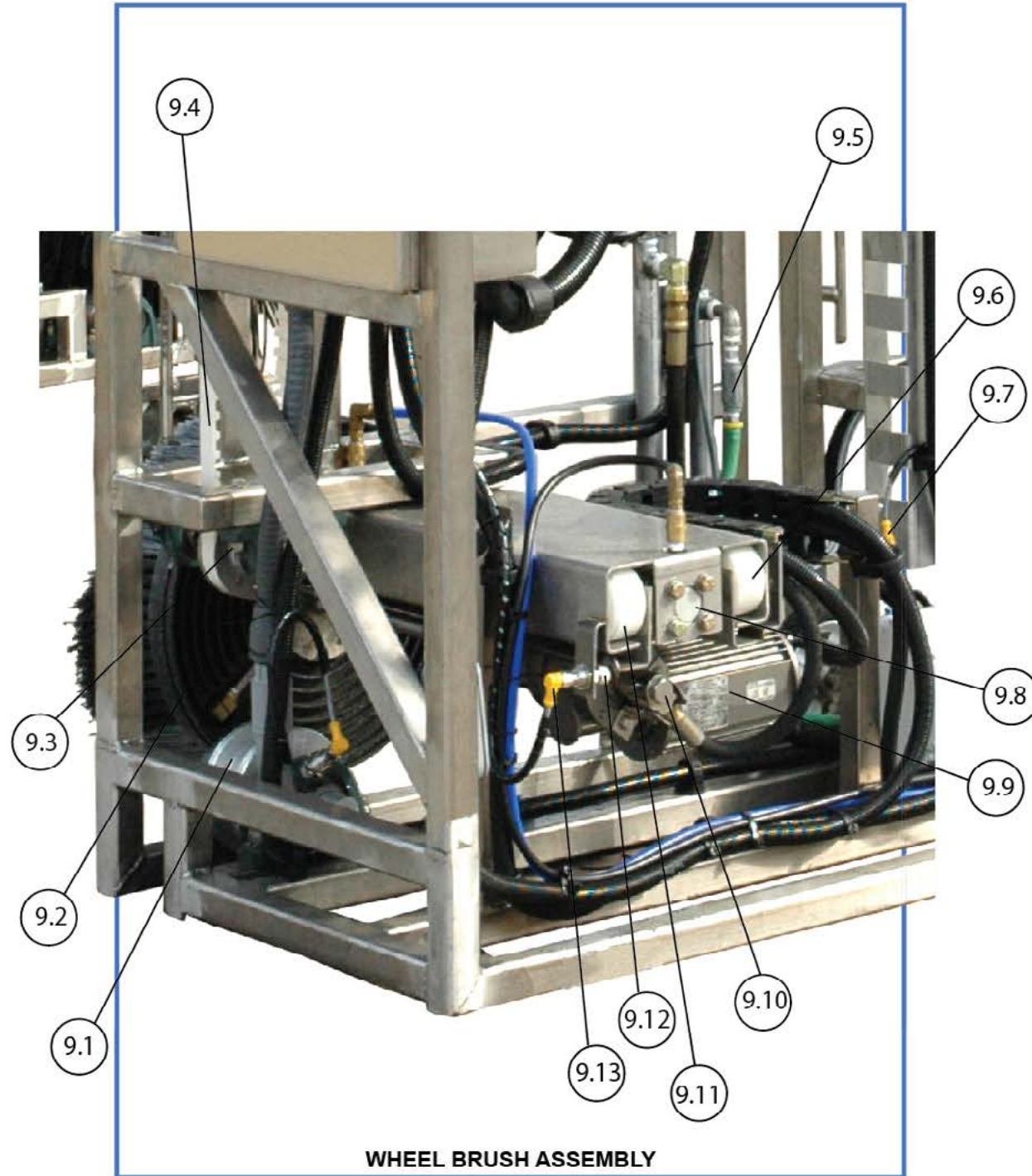
ID#	PART#	DESCRIPTION
7.1	55237	.13 Oscillating Motor w/ Gearbox
7.2	07820	Roller Guide Halves
7.3	07820	Roller Guide Halves
7.4	18010	Pulley, Cog 50Mm X 94Mm Belt
7.5	07820	Idler Pulley
7.6	18013	Belt, Timing SS Endless Pulley, Cog
7.7	18009	25Mm X 94Mm
7.8	06852-1	Top Boom Belt
7.9	07822	Belt Idler Pulley
7.10	06850	Pillow Blocks-Vps-116
7.11	06605	Pulley, Boom, Alum Am002
7.12	06850	Pillow Blocks-Vps-116
7.13	74005	Swivel-1/2" X 90 Deg
7.14	06645-1	1-1/8" Poly-Hi Bearing
7.15	06741-1	Receiver, 8-Channel w/Built in cable
7.16	06741-1	Receiver, 8-Channel w/Built in cable
7.17	55225-2	Gear Box - Nord
7.18	55000-1	Gear Motor, 1/3Hp 30:1 1" HSS



GANTRY UPPER - PASSENGER SIDE

GANTRY UPPER – PASSENGER SIDE

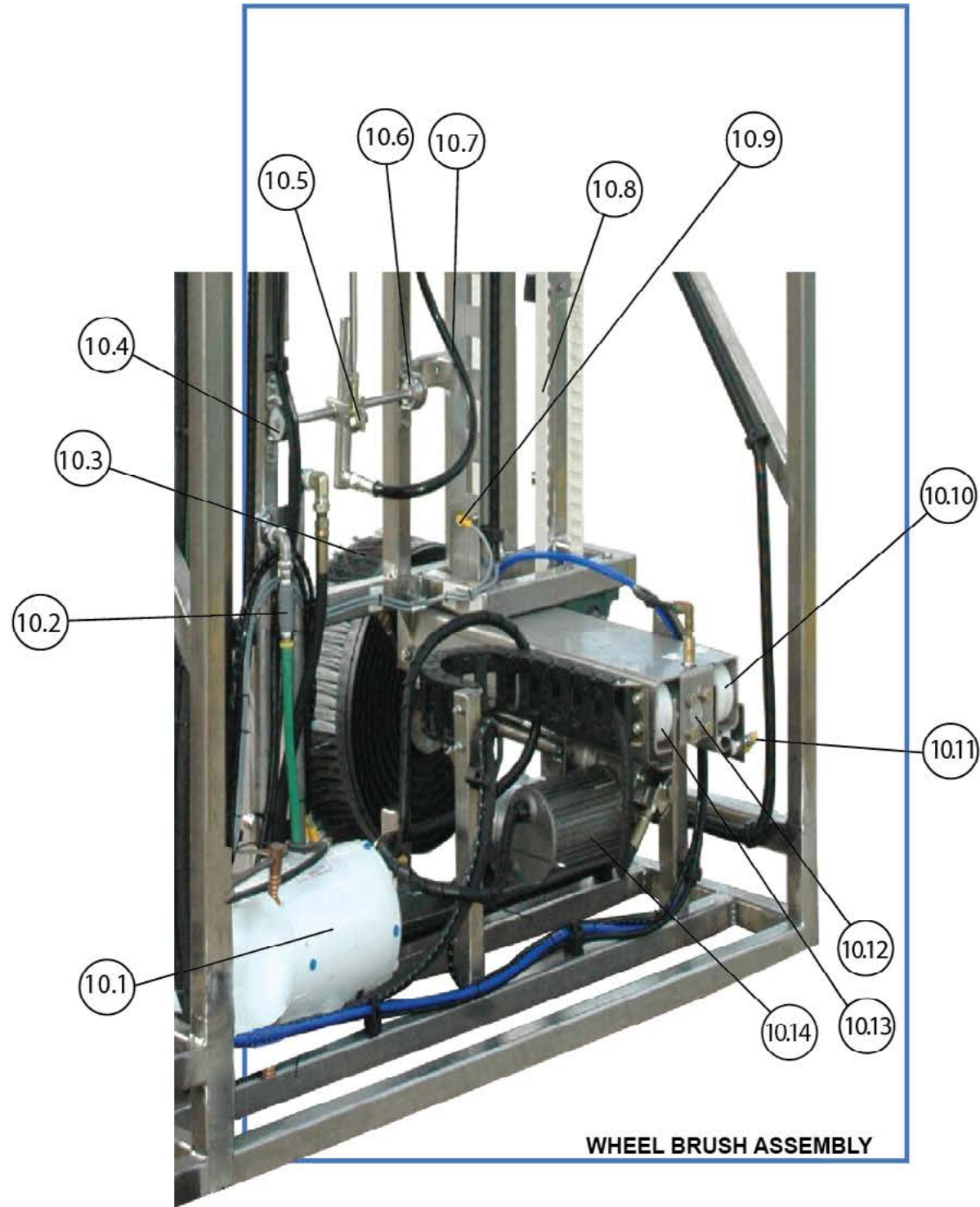
ID#	PART#	DESCRIPTION
8.1	06626	Truck Prox Dc 18mm
8.2	07820	Guide Roller Halves
8.3	06626	Truck Prox Dc 18mm
8.4	07820	Guide Roller Halves
8.5	06645-1	1-1/8" Poly-Hi Bearing
8.6	07828	Belt Idler Pulley
8.7	18013	Belt, Timing SS Endless
8.8	06850	Pillow Blocks-Vps-116
8.9	06852-10	Top Boom Belt
8.10	07822	Belt Idler Pulley
8.11	06850	Pillow Blocks-Vps-116
8.12	06852-10	Top Boom Belt
8.13	06605	Pulley, Boom, Alum Am002
8.14	06850	Pillow Blocks-Vps-116
8.15	74005	Swivel-1/2" X 90 Deg
8.16	52820	Hose, 1/2" W/B X 87", 1/2M-1/2M
8.17	34000	Check Valve, Brass Super-1/4"
8.18	31040	Dema Valve-458P 24V 1"
8.19	31030	Dema Valve-454P 24V 1/2"
8.20	31030	Dema Valve-454P 24V 1/2"
8.21	06520	Solenoid Valve, 1/2", 24Vac
8.22	06520	Solenoid Valve, 1/2", 24Vac



WHEEL BRUSH ASSEMBLY

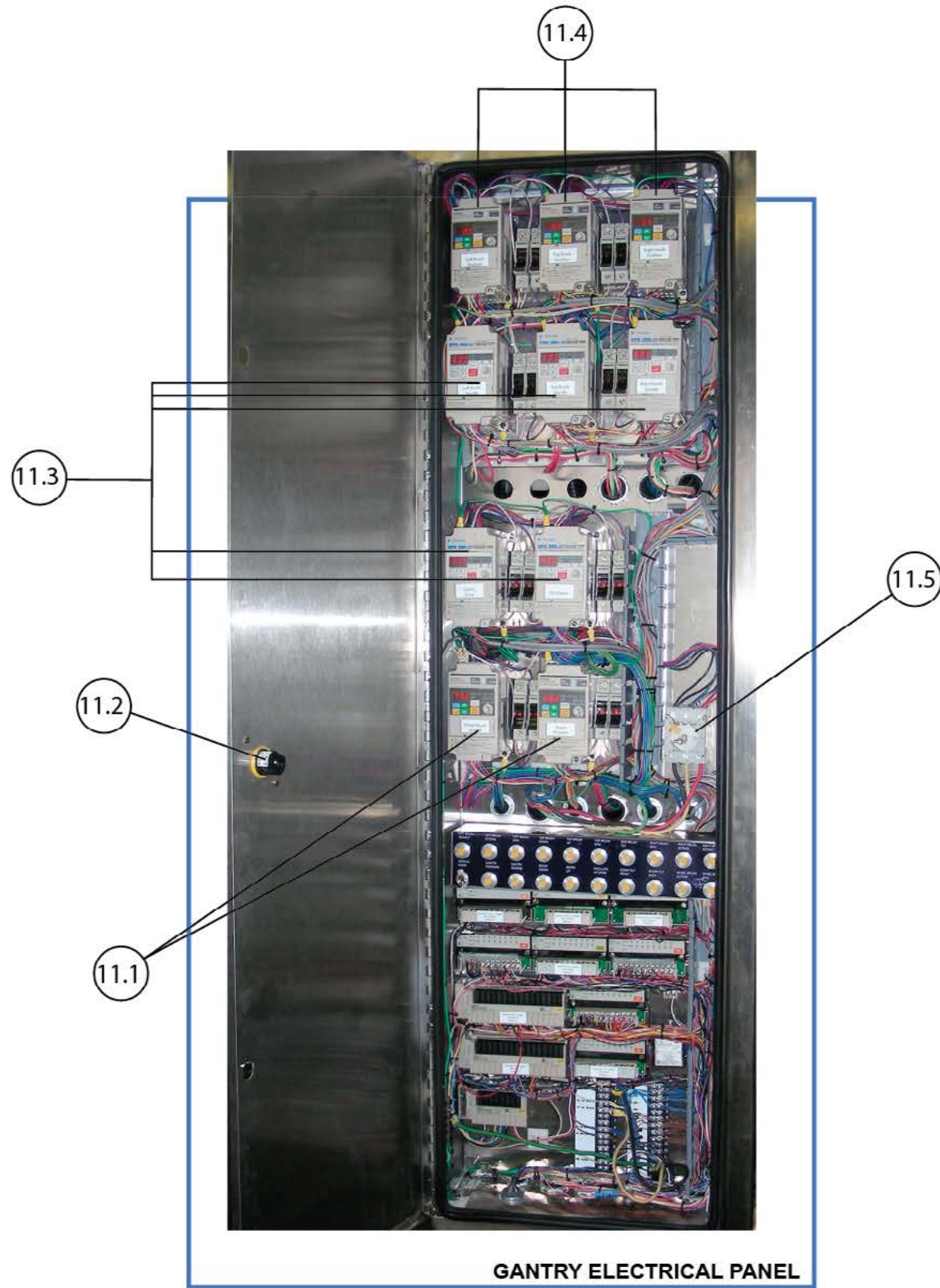
GANTRY – WHEEL BRUSH ASSEMBLY

ID#	PART#	DESCRIPTION
9.1	06500-W	Wheel, Drive
9.2	07519	Wheel Brush, Silver/Black Pulley
9.3	18009	Cog 25mm X 94mm Belt, Timing
9.4	18012-19	Top Brush Belt 19ft
9.5	34025	Check Valve-Poly 1/4"
9.6	07815	Slide Rollers
9.7	06650-4	Cable Prox Rt Angle 4Mtr 90Deg Air
9.8	07504	Cyl, 2.5" Bore X 18"
9.9	55000-1	Gear Motor, 1/3Hp 30:1 1" HS-BaldorS
9.10	74000	Swivel, 3/8" Hp M X F
9.11	07815	Slide Rollers
9.12	06626	Turck Prox Dc 18Mm
9.13	06650-12	Cable, Prox 15 Meter 90 Deg



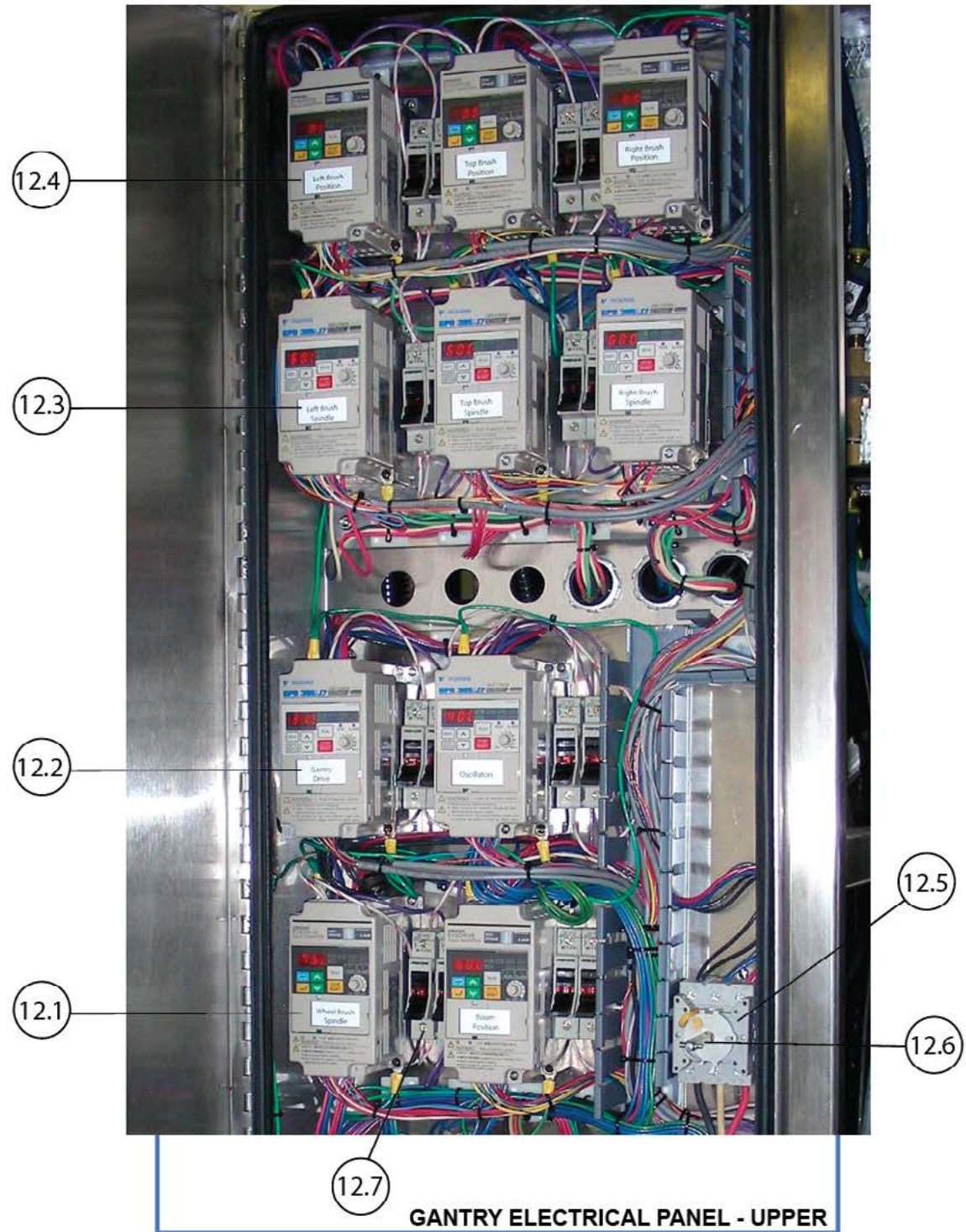
GANTRY – WHEEL BRUSH ASSEMBLY

ID#	PART#	DESCRIPTION
10.1	55230-4	.5Hp, 3/60, Inv Dty, Washdown
10.2	34025	Check Valve-Poly 1/4"
10.3	07519	Wheel Brush, Black/Silver
10.4	06647	Pillow Block Bearing - 1/2"
10.5	06838	Rod End-7/16"
10.6	06647	Pillow Block Bearing - 1/2"
10.7	22-00007	Hose, 3/8" Plastic X 24"
10.8	18012-19	Top Brush Belt 19ft
10.9	06650-12	Cable, Prox 15 Meter 90 Deg
10.10	07815	Side Rollers
10.11	06650-4	Cable, Prox Rt. Angle 4 Mtr 90Deg
10.12	07504	Air Cyl, 2.5" Bore X 18"
10.13	07815	Side Rollers
10.14	55000-1	Gear Motor, 1/3Hp 30:1 1" HS



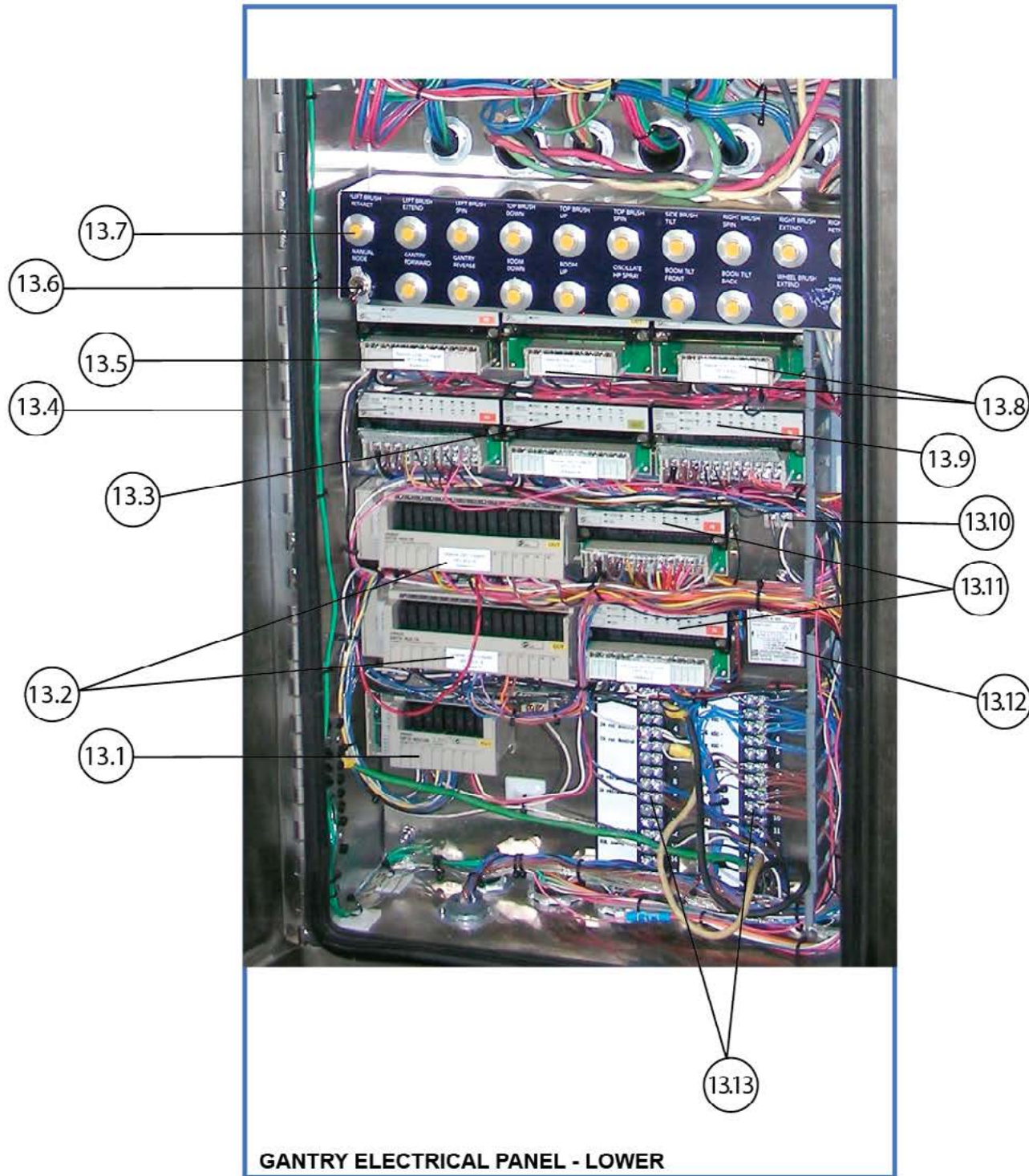
GANTRY – ELECTRICAL PANEL

ID#	PART#	DESCRIPTION
11.1	06973	Drive, 3/4Hp/230V/5A/3Ph/50-60Hz
11.2	06997	Switch Handle Assy-Yellow/Red
11.3	06973	Drive, 1Hp/230V/5A/3Ph/50-60Hz
11.4	06973	Drive, 3/4Hp/230V/3Ph/50-60Hz
11.5	06995	63 Amp Disconnect Base Mount



GANTRY ELECTRICAL PANEL - UPPER

ID#	PART#	DESCRIPTION
12.1	06973	Drive, 1Hp/230V/5A/3ph 50-60Hz
12.2	06973	Drive, 1Hp/230V/5A/3Ph/50-60Hz
12.3	06973	Drive, 1Hp/230V/5A/3Ph/50-60Hz
12.4	06973	Drive, 1Hp/230V/5A/3ph 50-60Hz
12.5	06995	63 Amp Disconnect Base Mount
12.6	06919	Bracket, Shaft Extension
12.7	40112-30	Terminal Block, DI10/17.5Sf
	40032-6	Fuse, Midget, 600V



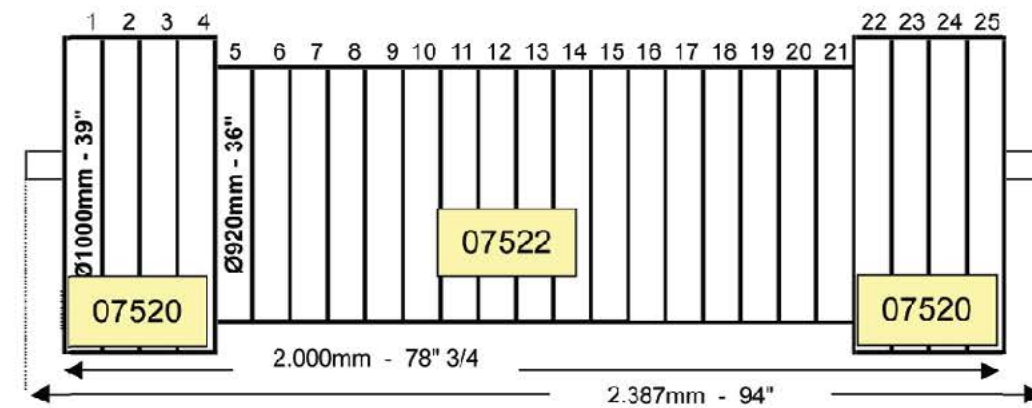
GANTRY ELECTRICAL PANEL - LOWER

ID#	PART#	DESCRIPTION
13.1	06935	Relay Output Card-Srt1 Roc08
13.2	06940	Relay Output Card-Ww Srt2Roc16
13.3	07526	Transistor Output Card
13.4	06920	Input Card-Ww Srt2-Id16
13.5	07524	Analog Input Card
13.6	40069	Switch, Spst (On-Off) 15A/120
13.7	72026	Pushbutton, Yellow
13.8	07525	Analog Output Card
13.9	06920	Input Card-Ww Srt2-Id16
13.10	06950	Resistor, Termination-Ww Drs1-Tdrs1-T
13.11	06920	Input Card-Ww Srt2-Id16
13.12	06785	Filter-3Vk3
13.13	40010-2	Terminal Strip, 15 Pt

sparkleSOFT

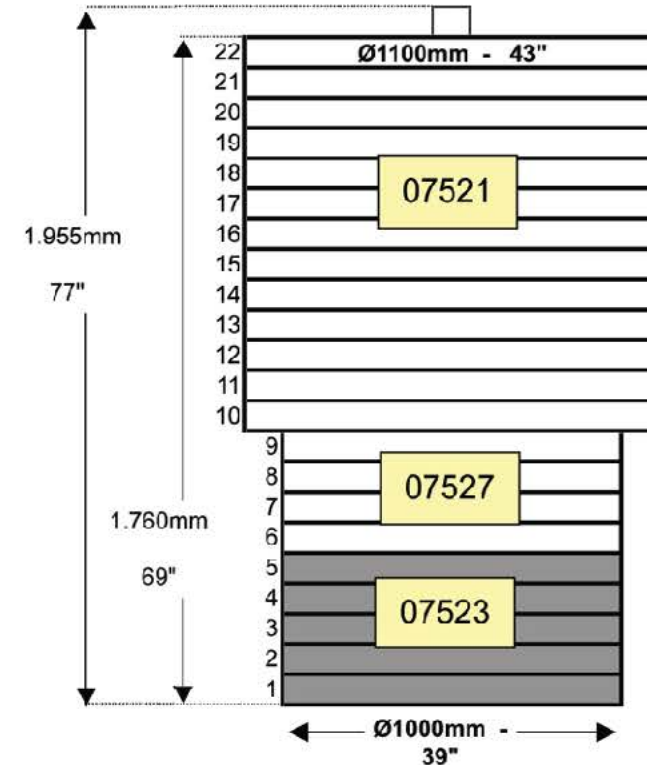
TOP BRUSH WITH 25 UNICA SECTIONS

Unica K121 - 18 ways 50%



SIDE BRUSH WITH 22 UNICA SECTIONS

*JCC Part Numbers



Unica K121
18 ways
50%



Unica K121
12 ways
100%



MIX
Unica K121
18 ways
Textile+Foam



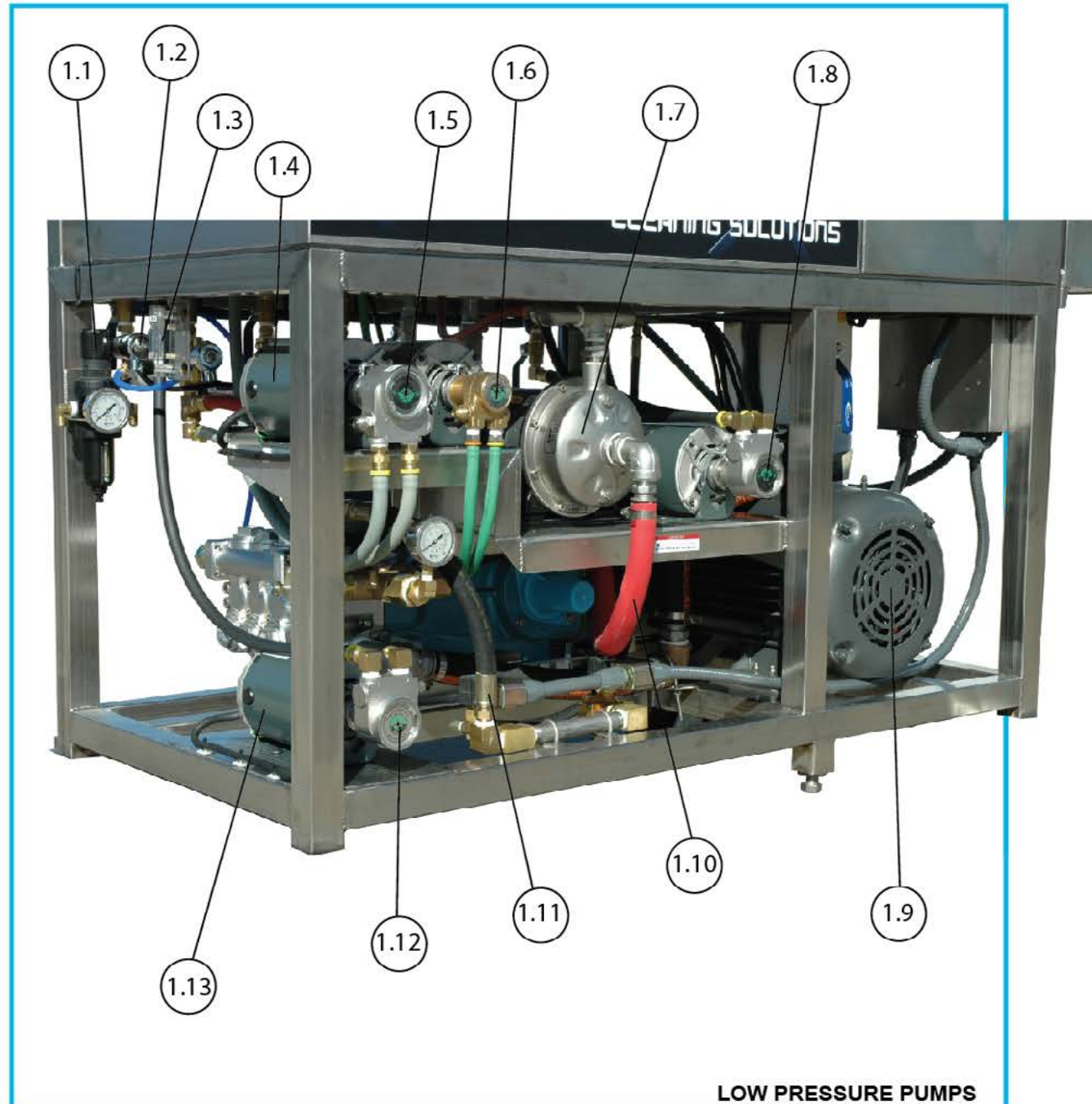
pumpstand





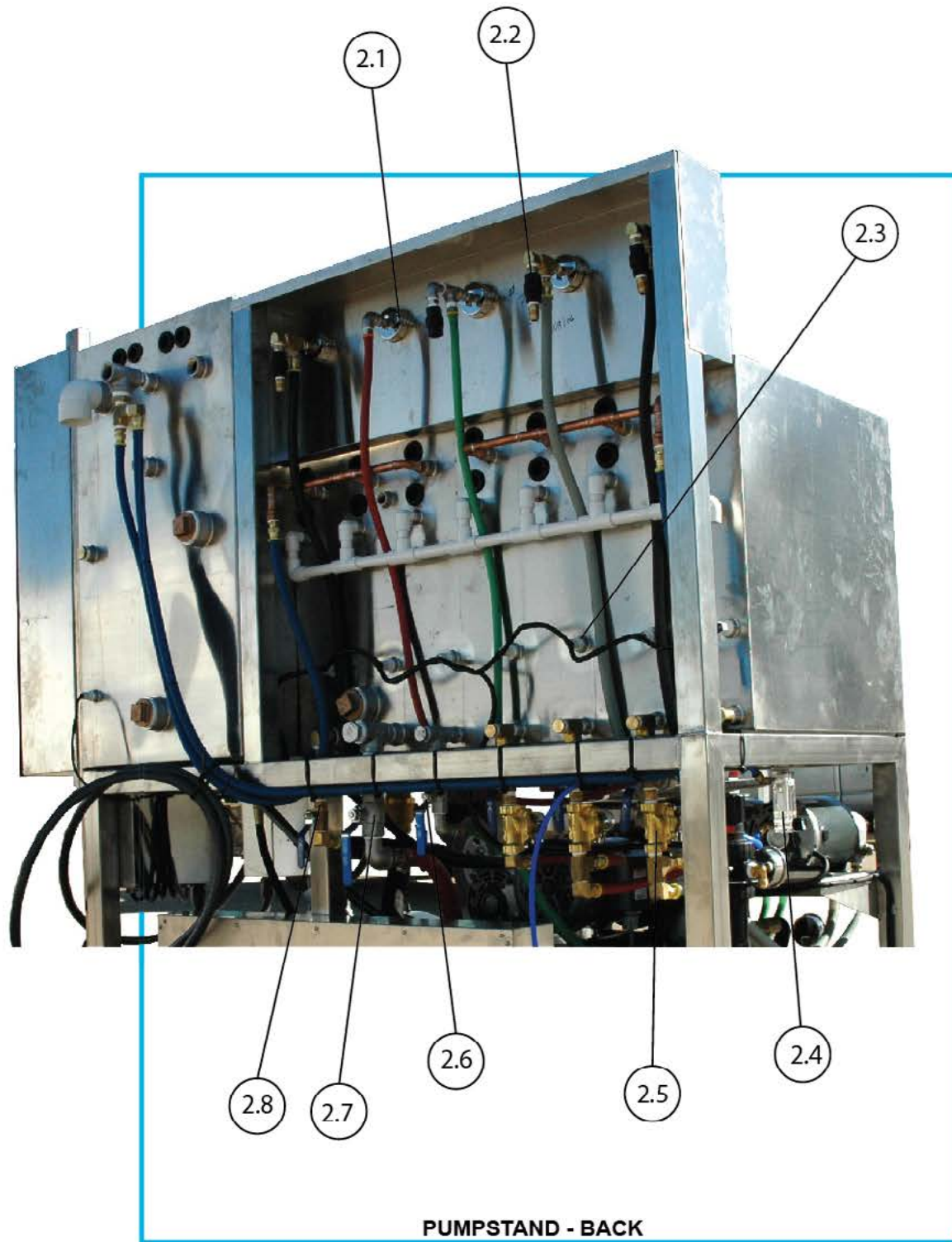
FUSIONX PUMPSTAND WITH ECC





PUMP STAND – LOW PRESSURE PUMPS

ID#	PART#	DESCRIPTION
1.1	58091-1	Regulator-1/2" Parker
1.2	64071	3Bd7 Sol Valve 0-150 1/4" SS
1.3	47075	Flow Meter, 4-40 Gpm
1.4	55016	Motor, 1/2 Hp, 1Ph
1.5	57007	Pump, 240Gph, 1/2Hp, S.S.
1.6	57002	Pump, 100Gph, 1/3Hp, Brass
1.7	32-3k133Wt3	Pump, 2Hp/3Ph
1.8	57007	Pump, 240Gph, 1/2Hp, S.S.
1.9	55267-W	Motor 25Hp 1760 3Ph
1.10	52022	Hose-1" Push-Lok-Red Air/Water
1.11	52186	3/4" Wire Braid Hose (Undercarriage inlet)
1.12	57007	Pump, 240Gph, 1/2Hp, S.S.
1.13	55016	Motor, 1/2 Hp, 1 Ph

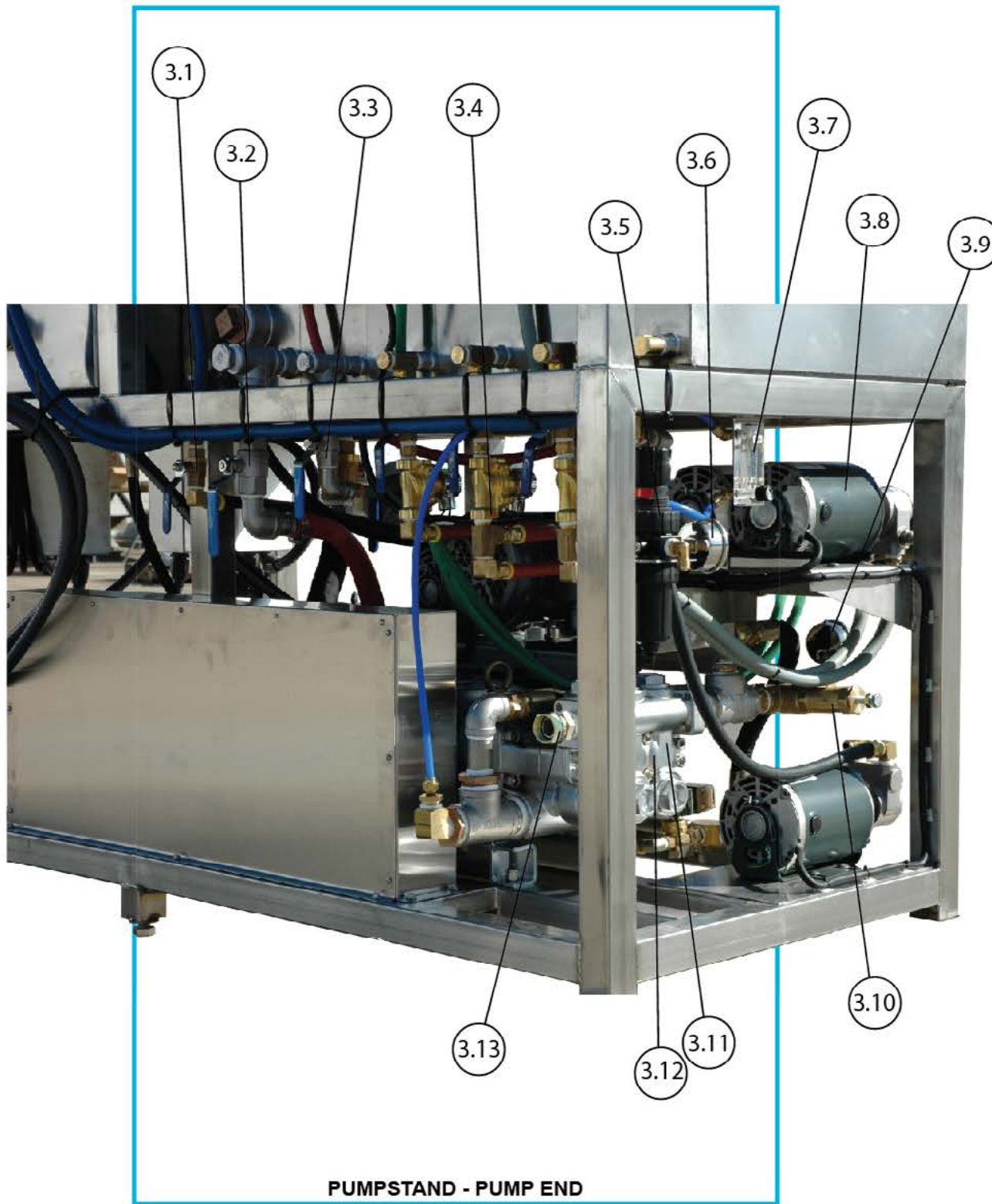


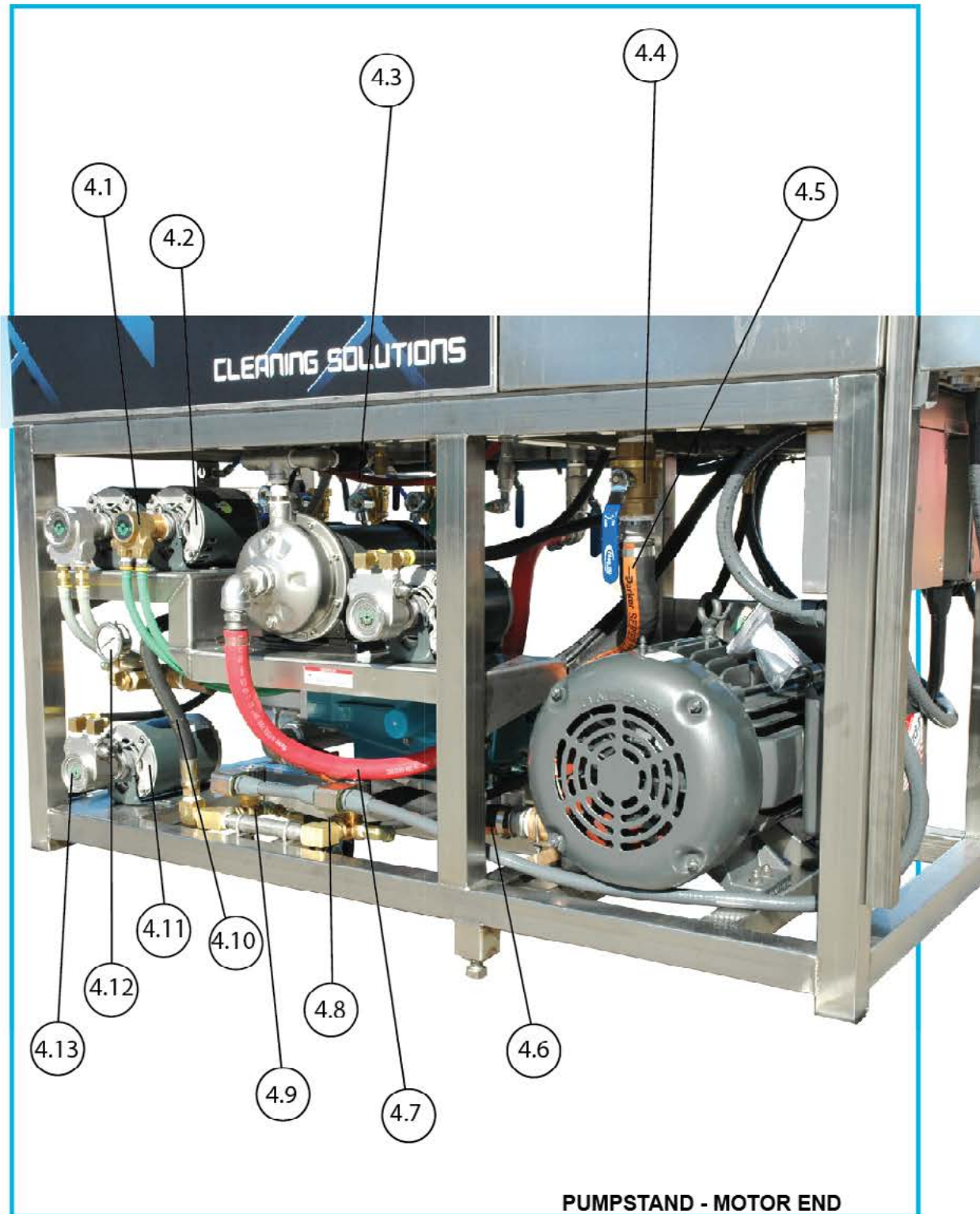
PUMPSTAND - BACK

ID#	PART#	DESCRIPTION
2.1	47010	Gauge and Bracket-Pressure 0-300 Panel
2.2	34020	Check Valve, Poly 3/8"
2.3	72050	Switch-Level (Side Mount)
2.4	47075	Flow Meter, 4-40 Gpm
2.5	64070	Solenoid-1/2Npt N.C. 24V
2.6	22450	Valve, Ball-1/2", 1000 psi
2.7	22101	Valve, Ball, 1", Full Port
2.8	22-V500P-8	Ball Valve-1/2" Brass

PUMPSTAND – PUMP END

ID#	PART#	DESCRIPTION
3.1	22-V500P-8	Ball Valve-1/2" Brass
3.2	22101	Valve, Ball, 1", Full Port
3.3	22450	Valve, Ball-1/2", 1000 psi
3.4	64070	Solenoid-1/2Npt N.C. 24V
3.5	58091-1	Regulator-1/2" Parker
3.6	47010	Gauge-Pressure 0-300 Panel Mt
3.7	47075	Flow Meter, 4-40 Gpm
3.8	55016	Motor, 1/2 Hp, 1 Ph
3.9	47011	Gauge-Pressure 0-300 Stem Mt
3.10	06760	Unloader-1"
3.11	32-3535	Cat 3535-35Pfr Pump 36Gpm
3.12	32-3535	Cat 3535-35Pfr Pump 36Gpm
3.13	22-0107-16-16	1"M To Female Pipe Swivel





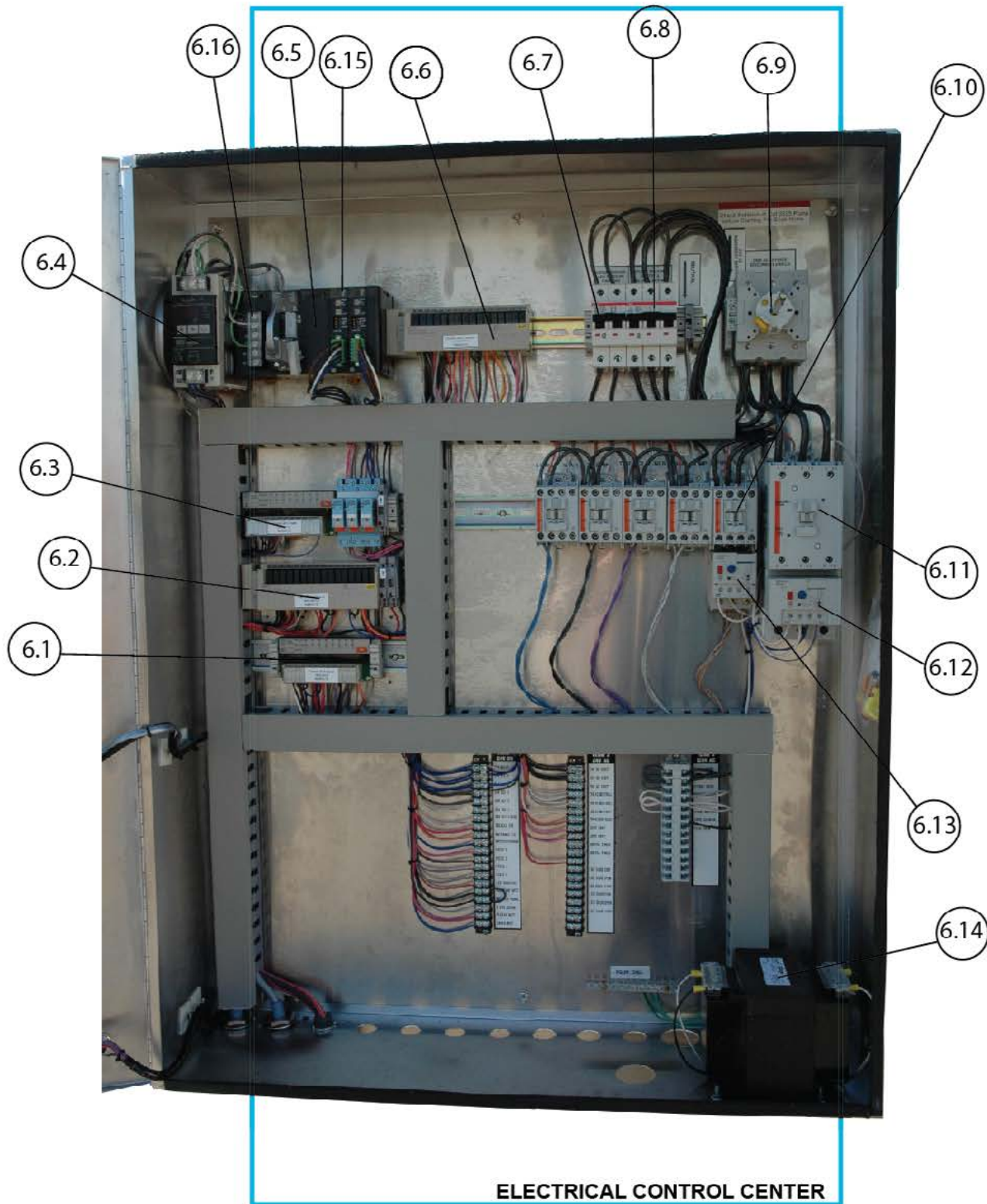
PUMPSTAND – MOTOR END

ID#	PART#	DESCRIPTION
4.1	57002	Pump, 100Gph, 1/3Hp, Brass
4.2	55013	Motor, 1/3 Hp, 1Ph
4.3	22-421-8	1/2" Wire Braid Hose Sae (52017)
4.4	22-V500P-24	Ball Valve-1-1/2"
4.5	52021	Hose, Suction, 1 1/2"
4.6	52021	Hose, Suction, 1 1/2"
4.7	22-801-16-R	Push Lock Hose-1"Red Air/Water
4.8	31030	Dema Valve-454P 24V 1/2"
4.9	31020	Dema Valve-453P 24V 3/8"
4.10	52816	Male Pipe Each End J 412 X 19"
4.11	55016	Motor, 1/2 Hp, 1 Ph
4.12	47020	Gauge-Pressure 0-2000 psi L/Mnt
4.13	57007	Pump, 240Gph, 1/2Hp, S.S.



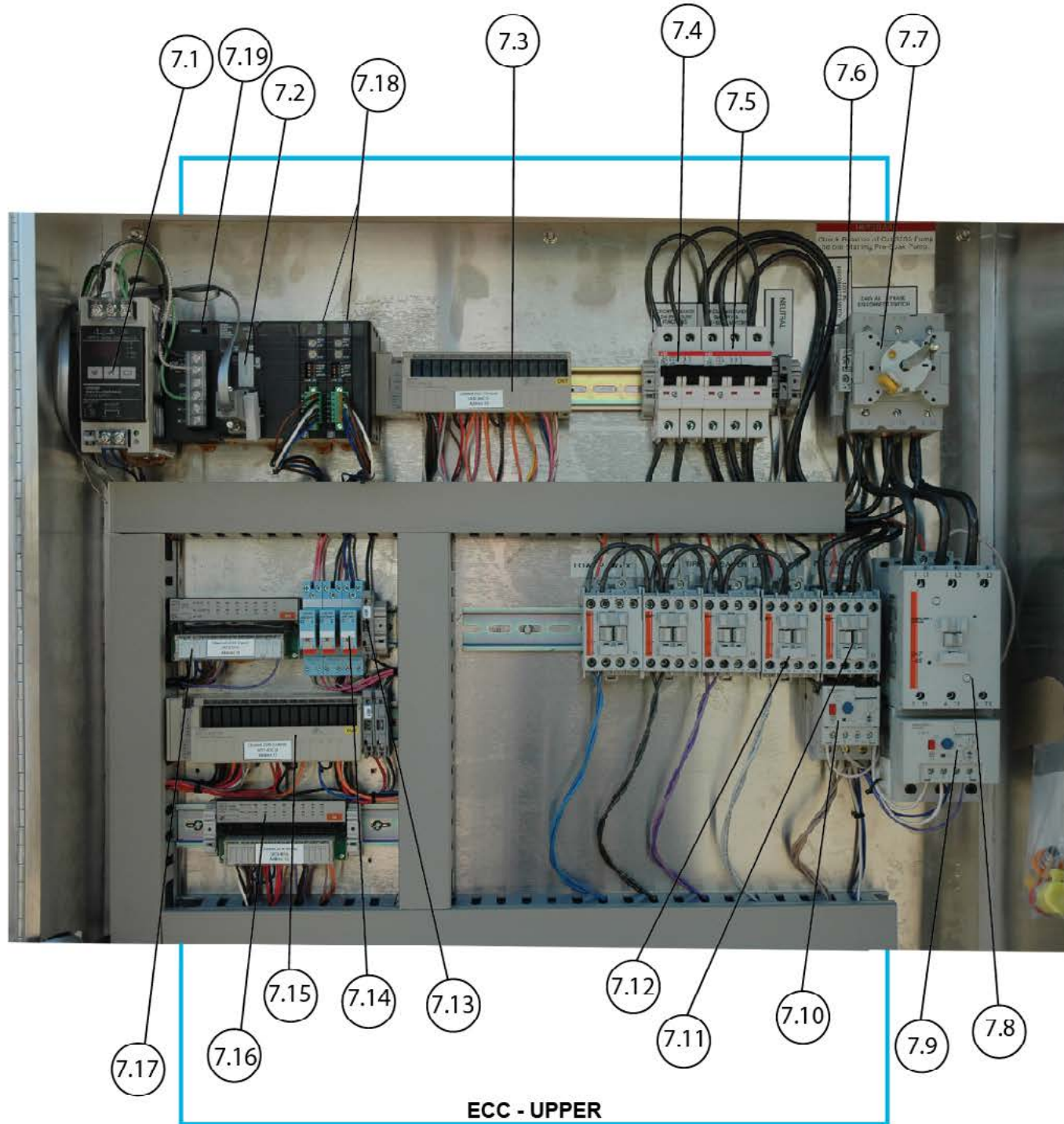
PUMPSTAND – CONTROL PANEL

ID#	PART#	DESCRIPTION
5.1	72026	Pushbutton, Yellow
5.2	06681	Op. Interface, 128 X 64 - Red Lion
5.3	06997	Switch Handle Assy-Yellow/Red
5.4	24385	Cam Lock 2 Pos W/1Key,Nut,Wshr



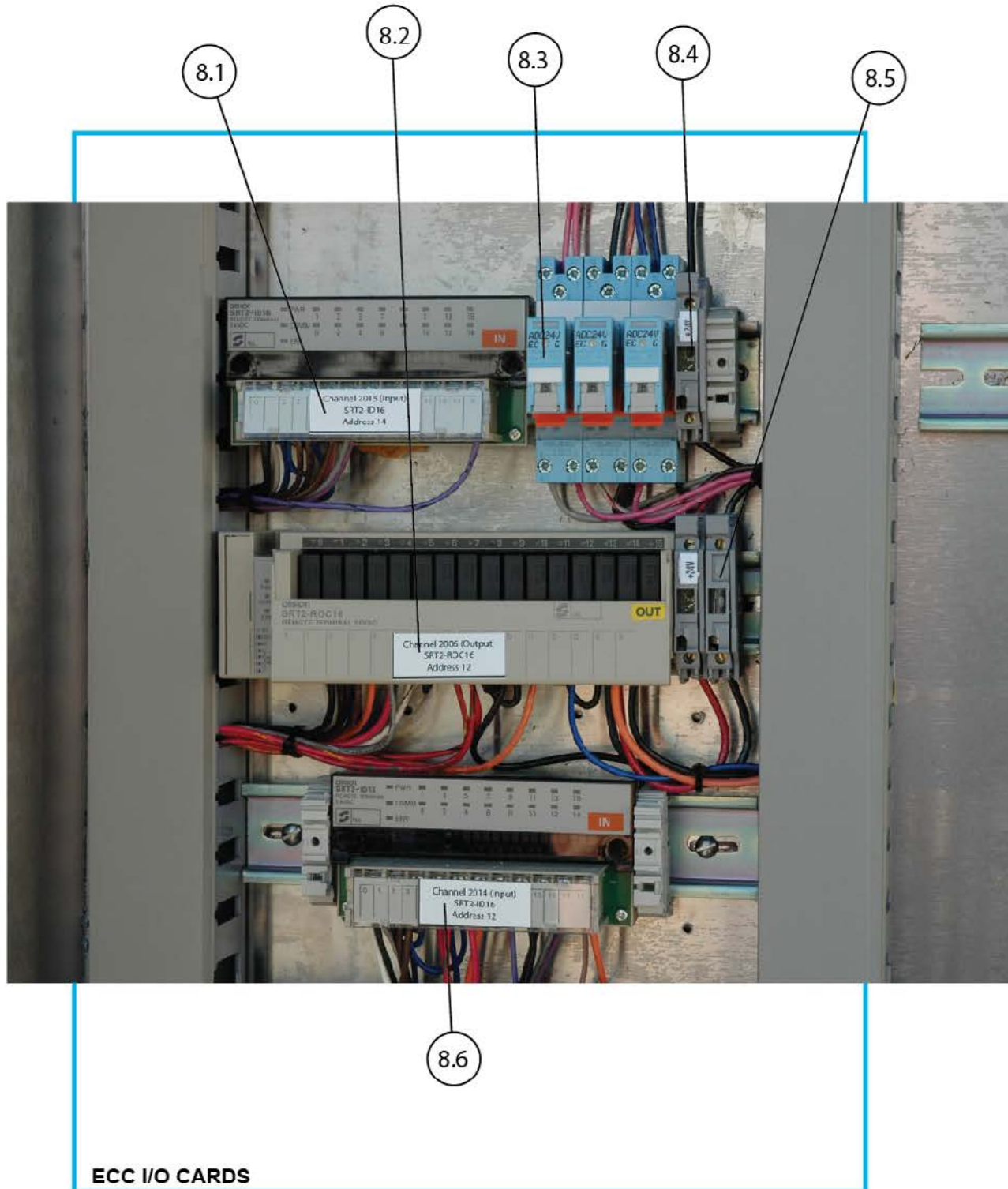
PUMPSTAND – ELECTRICAL CONTROL CENTER

ID#	PART#	DESCRIPTION
6.1	06920	Input Card-Ww Srt2-Id16
6.2	06940	Relay Output Card-Ww Srt2Roc16
6.3	06920	Input Card-Ww Srt2-Id16
6.4	06960	DC Power Supply-Omron
6.5	07503-3	CPU 14
6.6	06940	Relay Output Card-WW Srt2Roc16
6.7	40074	2P 16A Breaker UI489
6.8	40027	3P 20A Breaker UI489
6.9	06919-1	Shaft, Eec Operator
6.10	60056	Contactors, 16Amp 4Pole SS
6.11	60065	Contactors, 85 Amp, 4 Pole 120V
6.12	60066-1	Overload, 18 - 90Amp
6.13	60062-1	Overload, 3.2 - 16Amp
6.14	40190-5	Transformer 500Va 120/240-24V
6.15	06680-2	SRM21 Card
6.16	06680-3	PA202 Card



PUMPSTAND – ECC - UPPER

ID#	PART#	DESCRIPTION
7.1	06960	DC Power Supply-Omron
7.2	07503-3	CPU 14
7.3	06940	Relay Output Card-Ww Srt2Roc16
7.4	40074	2P 16A Breaker UI489
7.5	40027	3P 20A Breaker UI489
7.6	06996	Aux Relay Contacts
7.7	06994	100 Amp Disconnect Base Mount
7.8	60065	Contactor, 85 Amp, 4 Pole 120V
7.9	60066-1	Overload, 18 - 90Amp
7.10	60062-1	Overload, 3.2 - 16Amp
7.11	60056	Contactor, 16Amp 4Pole Ss
7.12	60056	Contactor, 16Amp 4Pole Ss
7.13	40032-2	Fuse, Glass 10A 250V
7.14	06948	Relay, 24 Vadc-Ac/Dc Coil
7.15	06940	Relay Output Card-Ww Srt2Roc16
7.16	06920	Input Card-Ww Srt2-Id16
7.17	06920	Input Card-Ww Srt2-Id16
7.18	066802-2	SRM21 Card
7.19	06680-3	PA202 Card

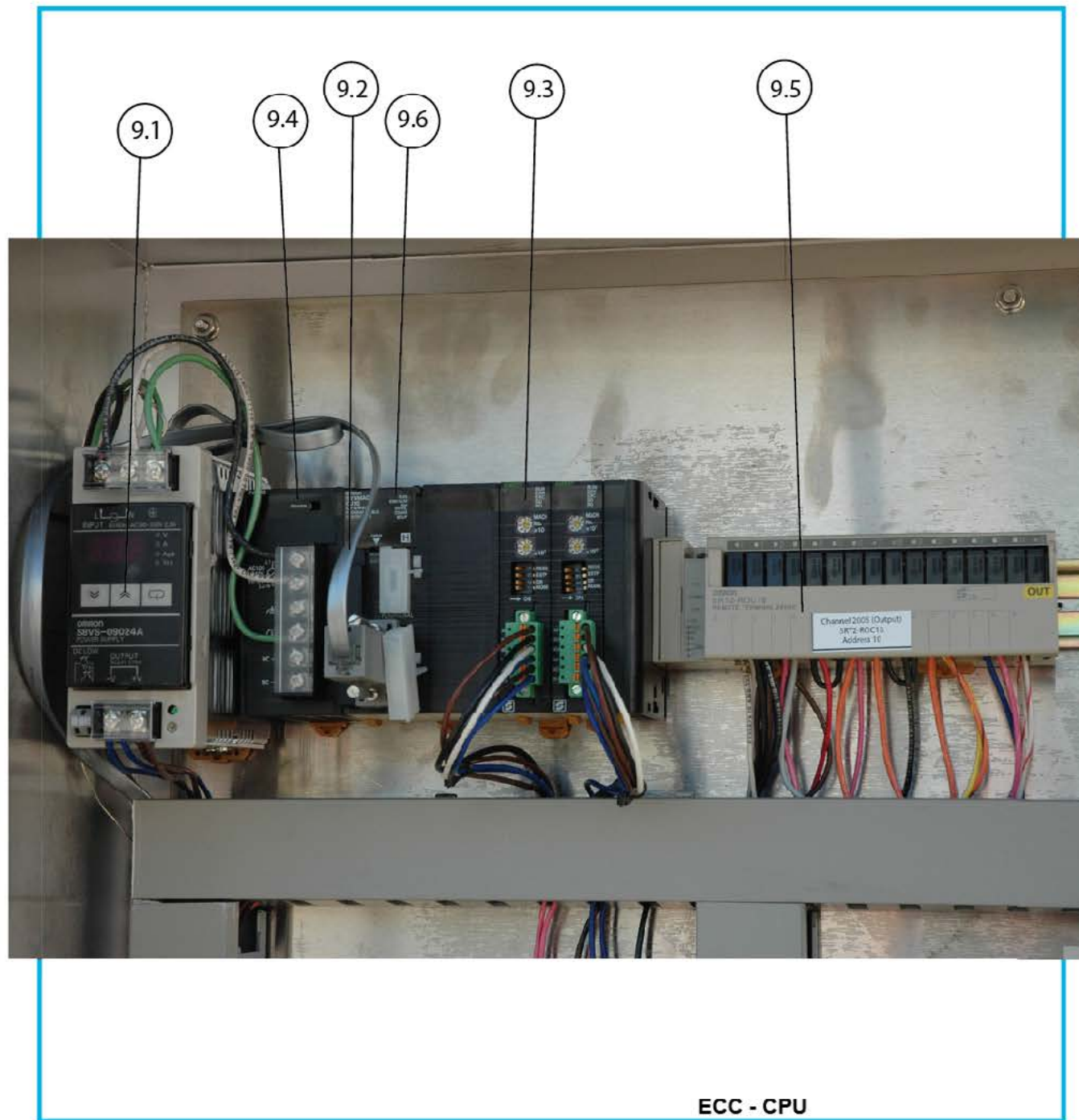


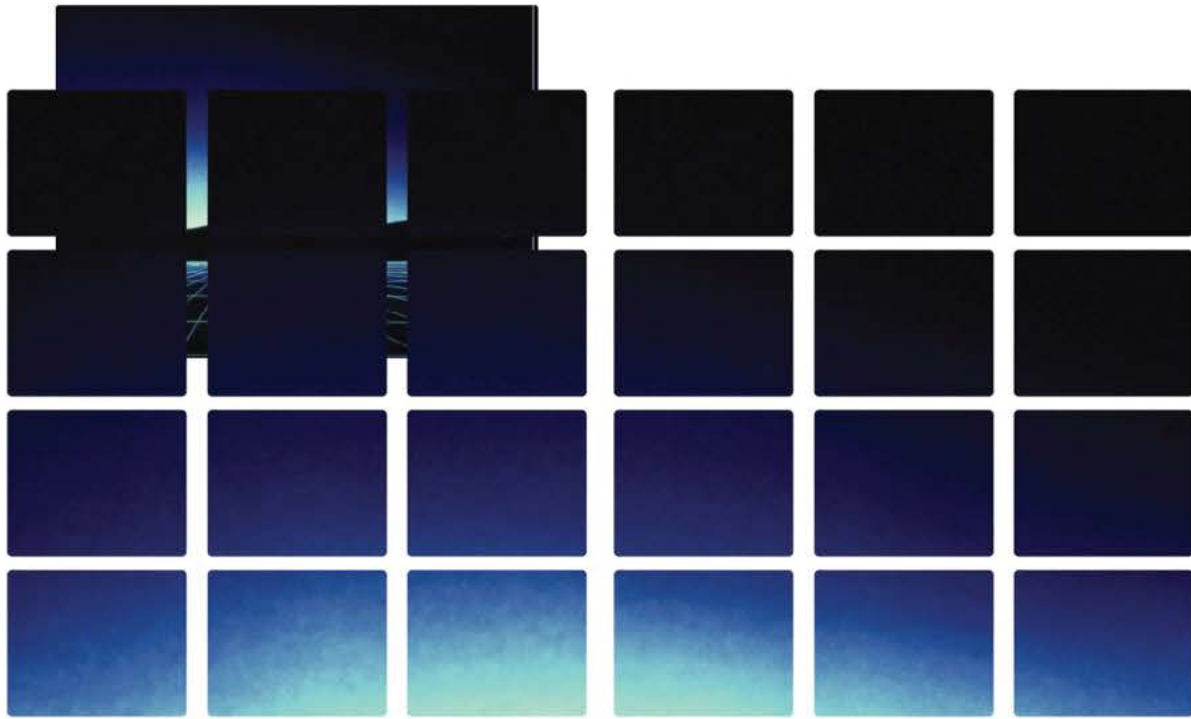
PUMPSTAND – ECC – I/O CARDS

ID#	PART#	DESCRIPTION
8.1	06920	Input Card-Ww Srt2-Id16
8.2	06940	Relay Output Card-Ww Srt2Roc16
8.3	06948	Relay, 24 Vadc-Ac/Dc Coil
8.4	40340-2 40032-2	Block, Terminal Fusehdr 24V 10 Amp Fuse
8.5	40340-1 40032-3	Block, Terminal Fusehdr 120V 3 Amp Fuse
8.6	06920	Input Card-Ww Srt2-Id16

PUMP STAND – ECC – CPU

ID#	PART#	DESCRIPTION
9.1	06960	Power Supply-Omron
9.2	06508	Cable, Red Lion to Computer
9.3	06680-2	SRM21 Card
9.4	06680-3	PA202 Card
9.5	06940	Relay Output Card-Ww Srt2Roc16
9.6	07503-3	CPU14





AN OVERSEAS COLEMAN COMPANY

PARTS MANUAL

THIS COLEMAN HANNA CARWASH SYSTEMS LLC MANUAL INCLUDES PICTURES AND PART NUMBERS FOR THE FOLLOWING EQUIPMENT: FUSION X PARTS DEPARTMENT

1.866.927.4229

713.590.6652 FAX

